

NOTICE!!

These documents have been scanned!

Do not place un-scanned documents beneath this notice!

Do not remove this notice from this file!

GPO Jacket No. 560-102
Print Order 61540
Rise Business Services, LLC
Job=AZ15 5/13/2019



Box Number= AZ15045



Claim Begin-End: AMC417489-AMC417505

1 Initial Receipt



AZ15045-16

AMC416896-AMC417639

United States Department of the Interior
Bureau of Land Management
 LANDS/RECREATION & PLANNING
 ONE N CENTRAL AVE
 PHOENIX, AZ 85004 -2203
 Phone: 602-417-9200

Receipt

No: 2657605

Transaction #: 2738531		ENTERED INTO COMPUTER
Date of Transaction: 09/17/2012		
CUSTOMER:		SEP 28 2012 <i>ps</i>
FORTUNA QUEEN LLC 14537 W GRAND AVE # 215 SURPRISE, AZ 85374-8649 US		

LINE #	QTY	DESCRIPTION	REMARKS	UNIT PRICE	TOTAL
1	17.00	LOCATABLE MINERALS / MINING CLAIMS- NEW, UNADJUD, ONE OR MORE AUTH NOS / NEW MINING CLAIM LOCATION FEE \$34 CASES: AMC417489/\$34.00, AMC417490/\$34.00, AMC417491/\$34.00, AMC417492/\$34.00, AMC417493/\$34.00, AMC417494/\$34.00, AMC417495/\$34.00, AMC417496/\$34.00, AMC417497/\$34.00, AMC417498/\$34.00, AMC417499/\$34.00, AMC417500/\$34.00, AMC417501/\$34.00, AMC417502/\$34.00, AMC417503/\$34.00, AMC417504/\$34.00, AMC417505/\$34.00		- n/a -	578.00
2	17.00	LOCATABLE MINERALS / MINING CLAIMS- NEW, UNADJUD, ONE OR MORE AUTH NOS / NEW MINING CLAIM MAINT FEE \$140 CASES: AMC417489/\$140.00, AMC417490/\$140.00, AMC417491/\$140.00, AMC417492/\$140.00, AMC417493/ \$140.00, AMC417494/\$140.00, AMC417495/\$140.00, AMC417496/\$140.00, AMC417497/\$140.00, AMC417498/ \$140.00, AMC417499/\$140.00, AMC417500/\$140.00, AMC417501/\$140.00, AMC417502/\$140.00, AMC417503/ \$140.00, AMC417504/\$140.00, AMC417505/\$140.00		- n/a -	2380.00
3	17.00	LOCATABLE MINERALS / MINING CLAIMS- NEW, UNADJUD, ONE OR MORE AUTH NOS / NEW MINING CLAIM PROCESSING FEE \$15 CASES: AMC417489/\$15.00, AMC417490/\$15.00, AMC417491/\$15.00, AMC417492/\$15.00, AMC417493/\$15.00, AMC417494/\$15.00, AMC417495/\$15.00, AMC417496/\$15.00, AMC417497/\$15.00, AMC417498/\$15.00, AMC417499/\$15.00, AMC417500/\$15.00, AMC417501/\$15.00, AMC417502/\$15.00, AMC417503/\$15.00, AMC417504/\$15.00, AMC417505/\$15.00		- n/a -	255.00
TOTAL:					\$3,213.00

PAYMENT INFORMATION

1	AMOUNT:	3213.00	POSTMARKED:	N/A
	TYPE:	CASH	RECEIVED:	09/17/2012
	NAME:	FORTUNA QUEEN LLC 14537 W GRAND AVE # 215 SURPRISE AZ 85374-8649 US		

REMARKS

This receipt was generated by the automated BLM Collections and Billing System and is a paper representation of a portion of the official electronic record contained therein.

NOTICE!!

These documents have been scanned!

Do not place un-scanned documents beneath this notice!

Do not remove this notice from this file!

GPO Jacket No. 560-102
Print Order 61540
Rise Business Services, LLC
Job=AZ15 5/13/2019



Box Number= AZ15045



Claim Begin-End: AMC417489-AMC417505

2 Correspondence



AZ15045-16

AMC416896-AMC417639

UNITED STATES POSTAL SERVICE

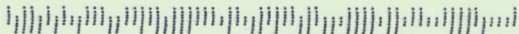


First-Class Mail
Postage & Fees Paid
USPS
Permit No. G-10

- Sender: Please print your name, address, and ZIP+4 in this box •

**U.S. DEPARTMENT OF THE INTERIOR
BUREAU OF LAND MANAGEMENT
ARIZONA STATE OFFICE
ONE NORTH CENTRAL AVENUE, SUITE 800
PHOENIX, AZ 85004-4427**

4442700



SENDER: COMPLETE THIS SECTION

- Complete items 1, 2, and 3. Also complete item 4 if Restricted Delivery is desired.
- Print your name and address on the reverse so that we can return the card to you.
- Attach this card to the back of the mailpiece, or on the front if space permits.

1. Article Addressed to:

FORTUNA QUEEN, LLC
 14537 W. GRAND AVE. STE. 215
 SURPRISE, AZ 85374-8649
 9310/RE/AMC417489

2. Article Number

(Transfer from service label)

7013 0600 0001 7593 5869

COMPLETE THIS SECTION ON DELIVERY

A. Signature

X

[Handwritten Signature] Agent AddresseeB. Received by (*Printed Name*)RECEIVED
MADRID OFFICE
[Handwritten Name]

C. Date of Delivery

2/1

D. Is delivery address different from item 1? Yes

If YES, enter delivery address below:

 No

2014 FEB -7 P 2:55

PHOENIX, ARIZONA

3. Service Type

 Certified Mail Express Mail Registered Return Receipt for Merchandise Insured Mail C.O.D.4. Restricted Delivery? (*Extra Fee*) Yes



United States Department of the Interior

BUREAU OF LAND MANAGEMENT

Arizona State Office

One North Central Avenue, Suite 800

Phoenix, Arizona 85004-4427

www.blm.gov/az/

JAN 29 2014



In Reply Refer To:

3800 (9310) RE

AMC417489

CERTIFIED MAIL - RETURN RECEIPT REQUESTED No. 7013 0600 0001 7593 5869

DECISION

FORTUNA QUEEN, LLC
14537 W. GRAND AVE. STE. 215
SURPRISE, AZ 85374-8649

:

:

:

This decision affects those claims shown
in the block below.

AMC417499 - 417505

PATMOS 1 - 3, UNCLE BOB #1 - #4

MINING CLAIMS DECLARED FORFEIT

The mining claims listed above have been declared forfeit as of September 1, 2013, for failure to timely file the required maintenance fee payment or small miner's maintenance fee waiver (waiver).

Claimants are required to pay an annual non-refundable maintenance fee of \$140 per 20 acres, or submit a waiver, on or before September 1 of each year. (In accordance with 43 CFR 1822.14, because September 1, 2013, fell on a Sunday and Monday was a holiday, the payment was due the next business day, September 3, 2013.) These requirements were established by 30 U.S.C. 28f-1, as amended, and 43 Code of Federal Regulations (CFR) 3834 and 3835.

Our records do not show receipt of a maintenance fee payment or small miner waiver filed on or before the due date. Therefore, the claims listed above are forfeit.

This decision does not relieve you of the liability for reclamation of all areas disturbed by your activities on lands covered by the subject mining claim(s) and/or site(s). After you complete the reclamation, you must notify the authorized officer of the appropriate surface managing agency so that the authorized officer may conduct a final site inspection and determine whether you may be released from liability. If you fail to reclaim the land to the satisfaction of the authorized officer, the surface management agency may cite you for noncompliance under its surface management regulations.

For land administered by the Bureau of Land Management (BLM), if you fail to reclaim the land to the satisfaction of the authorized officer as required in 43 CFR Subpart 3809, BLM will issue an order of noncompliance under 43 CFR 3809.601(a). If you fail to comply with the non-compliance order, BLM may take further action under 43 CFR 3809.604. Failure to conduct reclamation is a prohibited act that may subject you to criminal penalties. See 43 CFR 3809.605(h) and 43 CFR 3809.700.

Appeal Procedures

This decision may be appealed to the Interior Board of Land Appeals, Office of the Secretary, in accordance with the regulations contained in 43 CFR, Part 4, and the enclosed Form 1842-1. If an appeal is taken, your notice of appeal must be filed in this office (at the above address) within 30 days from receipt of this decision. The appellant has the burden of showing that the decision appealed from is in error.

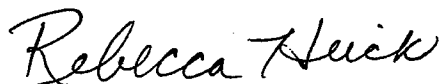
If you wish to file a petition pursuant to regulation 43 CFR 4.21 (58 FR 4939, January 19, 1993) for a stay of the effectiveness of this decision during the time that your appeal is being reviewed by the Board, the petition for a stay must accompany your notice of appeal. A petition for a stay is required to show sufficient justification based on the standards listed below. Copies of the notice of appeal and petition for a stay **must** also be submitted to each party named in this decision and to the Interior Board of Land Appeals and to the appropriate Office of the Solicitor (see 43 CFR 4.413) at the same time the original documents are filed with this office. If you request a stay, you have the burden of proof to demonstrate that a stay should be granted.

Standards for Obtaining a Stay

Except as otherwise provided by law or other pertinent regulation, a petition for a stay of a decision pending appeal shall show sufficient justification based on the following standards:

- (1) The relative harm to the parties if the stay is granted or denied,
- (2) The likelihood of the appellant's success on the merits,
- (3) The likelihood of immediate and irreparable harm if the stay is not granted, and
- (4) Whether the public interest favors granting the stay.

Please include your AMC serial number(s) on all correspondence. If additional information is required, please call Rod Ebert, at 602-417-9397.



Rebecca Heick
Group Administrator
Lands and Minerals

Enclosure:
Appeal Form 1842-1

NOTICE!!

These documents have been scanned!

Do not place un-scanned documents beneath this notice!

Do not remove this notice from this file!

GPO Jacket No. 560-102
Print Order 61540
Rise Business Services, LLC
Job=AZ15 5/13/2019



Box Number= AZ15045



Claim Begin-End: AMC417489-AMC417505

3 Transfers



AZ15045-16

AMC416896-AMC417639

**NO
DOCUMENTS
FOUND**

NO DOCUMENTS FOUND
NO DOCUMENTS FOUND

NOTICE!!

These documents have been scanned!

Do not place un-scanned documents beneath this notice!

Do not remove this notice from this file!

GPO Jacket No. 560-102
Print Order 61540
Rise Business Services, LLC
Job=AZ15 5/13/2019



Box Number= AZ15045



Claim Begin-End: AMC417489-AMC417505

4 Miscellaneous



AZ15045-16

AMC416896-AMC417639

When recorded, mail to:

Name: DAN FOWLER
 Address: 438 Chuckwagon Rd.
 City/State/Zip Code: JACKSBORO
TEXAS 76458

417489

Space above this line for Recorder's use

QUITCLAIM DEED

KNOW ALL MEN BY THESE PRESENTS:

That I (we), FORTUNA QUEEN LLC,
 the undersigned, for the consideration of Ten Dollars (\$10.00), and other valuable considerations, do
 hereby release, remise, and forever quitclaim unto DAN FOWLER

all right, title and interest in that certain Property situated in YAVAPAI County,
 State of ARIZONA, and described as follows:

TEN MINING CLAIMS LOCATED IN SECTIONS:
 4, 5, 8, + 9 T9N R2W GILA AND SALT RIVER BASE
 AND MERIDIAN AMC 417489, AMC 417490, AMC 417491,
 AMC 417492, AMC 417493, AMC 417494, AMC 417495,
 AMC 417496, AMC 417497, AMC 417498

ENTERED
 JAN 20 2016

RECEIVED
 CLM AZ STATE OFFICE
 PHOENIX ARIZONA
 2016 JAN 15 A 11:11

IN WITNESS WHEREOF, I (we) have hereunto set my (our) hand(s) and seal this 12th day of

JANUARY, 2016.

JOHN EDWARDS ZIEGLER
 Printed Name of Releasor

[Signature]
 Signature of Releasor

Printed Name of Releasor

Signature of Releasor

JEAN CONLON
 Printed Name of Witness (if required by State Laws)

[Signature]
 Signature of Witness (if required by State Laws)

ACKNOWLEDGMENT
(States Other Than California)

State of Arizona)
County of Maricopa) ss.

On this 14th day of January 2016, before me, the undersigned Notary Public, personally appeared John Edward Zietke

known to me to be the individual(s) who executed the foregoing instrument and acknowledged the same to be his(her)(their) free act and deed.

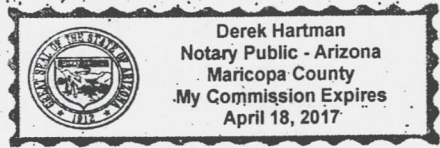
My Commission Expires: 04/18/2017

[Signature]
Notary Public

If acknowledged in the State of Florida, complete section(s) below:

(Releasor) Personally Known (or) Produced Identification

If applicable, Type of Identification Produced: N/A



(Co-Releasor) Personally Known (or) Produced Identification

If applicable, Type of Identification Produced: N/A

PURSUANT TO A.R.S.
Sec 11-134 (A) 6

ACKNOWLEDGMENT
(State Of California)

State of California)
County of N/A) ss.

On this _____ day of _____, before me, _____, the undersigned Notary Public, personally appeared,

personally known to me (or proved to me on the basis of satisfactory evidence) to be the person(s) whose name(s) is(are) subscribed to the attached instrument and acknowledged to me that he(she)(they) executed the same in his(her)(their) authorized capacity(ies), and that by his(her)(their) signature(s) on the instrument, the person(s) or the entity upon behalf of which the person(s) acted, executed the instrument.

WITNESS my hand and official seal.

Notary Public

RECEIVED
PHOENIX, ARIZONA
JAN 15 4:11:11
STATE OFFICE

**United States Department of the Interior
Bureau of Land Management**

LANDS/RECREATION & PLANNING
ONE N CENTRAL AVE
PHOENIX, AZ 85004 -2203
Phone: 602-417-9200

Receipt

No: 3475254

Transaction #: 3575347	
Date of Transaction: 01/15/2016	
CUSTOMER:	
DAN FOWLER 438 CHUCKWAGON RD JACKSBORO, TX 76458-3724 US	

LINE #	QTY	DESCRIPTION	REMARKS	UNIT PRICE	TOTAL
1	10.00	LOCATABLE MINERALS / MINING CLAIMS- NOT NEW-UNADJUD, ONE AUTH NO. ONLY / MINING CLAIM MONEY RECEIVED CASES: AMC417489/\$10.00, AMC417490/ \$10.00, AMC417491/\$10.00, AMC417492/\$10.00, AMC417493/\$10.00, AMC417494/\$10.00, AMC417495/\$10.00, AMC417496/\$10.00, AMC417497/\$10.00, AMC417498/\$10.00	QUITCLAIM/10	- n/a -	100.00
TOTAL:					\$100.00

PAYMENT INFORMATION			
1	AMOUNT:	100.00	POSTMARKED: N/A
	TYPE:	CASH	RECEIVED: 01/15/2016
	NAME:	FOWLER, DAN 438 CHUCKWAGON RD JACKSBORO TX 76458-3724 US	

REMARKS

This receipt was generated by the automated BLM Collections and Billing System and is a paper representation of a portion of the official electronic record contained therein.

NOTICE!!

These documents have been scanned!

Do not place un-scanned documents beneath this notice!

Do not remove this notice from this file!

GPO Jacket No. 560-102
Print Order 61540
Rise Business Services, LLC
Job=AZ15 5/13/2019



Box Number= AZ15045



Claim Begin-End: AMC417489-AMC417505

5 Annual Filings



AZ15045-16

AMC416896-AMC417639

DEPARTMENT OF THE INTERIOR
BUREAU OF LAND MANAGEMENT
MINING CLAIMS

Run Date/Time: 9/11/2018

MC Maintenance Fees Paid Through the BLM Pay Portal
(by Date Paid)

Page 712 Of 723

CBS Receipt: 4255882

Printed For Lead File # AMC417489

Agency Tracking ID: 1536074237

Assessment Year: 2019

Number of BLM Serial Nr: 10

Paid On: 9/4/2018

Total Amount Paid: \$1,550.00

Claim Name	BLM Serial No	Lead File No	Amount Paid
FORTUNA QUEEN #1	AMC417489	AMC417489	\$155.00
FORTUNA QUEEN #2	AMC417490	AMC417489	\$155.00
FORTUNA QUEEN #3	AMC417491	AMC417489	\$155.00
FORTUNA QUEEN #4	AMC417492	AMC417489	\$155.00
FORTUNA QUEEN #5	AMC417493	AMC417489	\$155.00
FORTUNA QUEEN #6	AMC417494	AMC417489	\$155.00
JEANIES PLACE #1	AMC417495	AMC417489	\$155.00
JEANIES PLACE #2	AMC417496	AMC417489	\$155.00
MOLLY GIRL #1	AMC417497	AMC417489	\$155.00
MOLLY GIRL #2	AMC417498	AMC417489	\$155.00

United States Department of the Interior
Bureau of Land Management
 BUSINESS & SUPPORT SVCS DIV
 ONE N CENTRAL AVE SUITE 800
 PHOENIX, AZ 85004 -4427
 Phone: 602-417-9200

Receipt

No: 4255882

Transaction #: 4371425	
Date of Transaction: 09/04/2018	
CUSTOMER:	
DAN E FOWLER JR 438 CHUCKWAGON RD JACKSBORO, TX 76458 US	

LINE #	QTY	DESCRIPTION	REMARKS	UNIT PRICE	TOTAL
1	1.00	LOCATABLE MINERALS / MINING CLAIMS-NOT NEW-UNADJUD, ONE AUTH NO. ONLY / MINING CLAIM MONEY RECEIVED CASES: AMC417489/\$1550.00		- n/a -	1550.00
TOTAL:					\$1,550.00

PAYMENT INFORMATION				
NOTE: Items will appear on credit card statement as "BLM O Mining Claim".				
1	AMOUNT:	1550.00	POSTMARKED:	N/A
	TYPE:	CREDIT CARD	RECEIVED:	09/04/2018
	NAME:	DAN E FOWLER JR 438 CHUCKWAGON RD JACKSBORO TX 76458 US		
	CARD NO:	XXXXXXXXXXXX4468	AUTH CODE:	00296C
	NAME ON CARD:	DAN E FOWLER JR		
	SIGNATURE:			

REMARKS

This receipt was generated by the automated BLM Collections and Billing System and is a paper representation of a portion of the official electronic record contained therein.

Run Date: 09/05/17

Run Time: 02:33 PM

**DEPARTMENT OF THE INTERIOR
BUREAU OF LAND MANAGEMENT
MINING CLAIMS**

MC Maintenance Fees Paid Through the BLM Pay Portal

CBS Receipt: 3969916

Printed For Lead File # AMC417489

Agency Tracking ID: 1504324198

Assessment Year: 2018

Number of BLM Serial Nr: 10

Paid On: 09/01/2017

Total Amount Paid: \$1,550.00

Claim Name	BLM Serial No	Lead File No	Amount Paid
FORTUNA QUEEN #1	AMC417489	AMC417489	\$155.00
FORTUNA QUEEN #2	AMC417490	AMC417489	\$155.00
FORTUNA QUEEN #3	AMC417491	AMC417489	\$155.00
FORTUNA QUEEN #4	AMC417492	AMC417489	\$155.00
FORTUNA QUEEN #5	AMC417493	AMC417489	\$155.00
FORTUNA QUEEN #6	AMC417494	AMC417489	\$155.00
JEANIES PLACE #1	AMC417495	AMC417489	\$155.00
JEANIES PLACE #2	AMC417496	AMC417489	\$155.00
MOLLY GIRL #1	AMC417497	AMC417489	\$155.00
MOLLY GIRL #2	AMC417498	AMC417489	\$155.00

**United States Department of the Interior
Bureau of Land Management
BUSINESS & SUPPORT SVCS DIV
ONE N CENTRAL AVE SUITE 800
PHOENIX, AZ 85004 -4427
Phone: 602-417-9200**

Receipt

No: 3969916

Transaction #: 4079828	
Date of Transaction: 09/01/2017	
CUSTOMER:	
DAN FOWLER 438 CHUCKWAGON RD JACKSBORO, TX 76458 US	

LINE #	QTY	DESCRIPTION	REMARKS	UNIT PRICE	TOTAL
1	1.00	LOCATABLE MINERALS / MINING CLAIMS- NOT NEW-UNADJUD, ONE AUTH NO. ONLY / MINING CLAIM MONEY RECEIVED CASES: AMC417490/\$1550.00		- n/a -	1550.00
TOTAL:					\$1,550.00

PAYMENT INFORMATION					
NOTE: Items will appear on credit card statement as "BLM O Mining Claim".					
1	AMOUNT:	1550.00	POSTMARKED:	N/A	
	TYPE:	CREDIT CARD	RECEIVED:	09/01/2017	
	NAME:	DAN FOWLER 438 CHUCKWAGON RD JACKSBORO TX 76458 US			
	CARD NO:	XXXXXXXXXXXX1124	AUTH CODE:	617875	
	NAME ON CARD:	DAN FOWLER			
	EXPIRES:	05/2021			
	SIGNATURE:				

REMARKS

This receipt was generated by the automated BLM Collections and Billing System and is a paper representation of a portion of the official electronic record contained therein.

Run Date: 09/14/16

Run Time: 01:48 PM

**DEPARTMENT OF THE INTERIOR
BUREAU OF LAND MANAGEMENT
MINING CLAIMS**

MC Maintenance Fees Paid Through the BLM Pay Portal

CBS Receipt: 3650526

Printed For Lead File # **AMC417489**

Agency Tracking ID: 1472756948

Assessment Year: 2017

Number of BLM Serial Nr: 10

Paid On: 09/01/2016

Total Amount Paid: \$1,550.00

Claim Name	BLM Serial No	Lead File No	Amount Paid
FORTUNA QUEEN #1	AMC417489	AMC417489	\$155.00
FORTUNA QUEEN #2	AMC417490	AMC417489	\$155.00
FORTUNA QUEEN #3	AMC417491	AMC417489	\$155.00
FORTUNA QUEEN #4	AMC417492	AMC417489	\$155.00
FORTUNA QUEEN #5	AMC417493	AMC417489	\$155.00
FORTUNA QUEEN #6	AMC417494	AMC417489	\$155.00
JEANIES PLACE #1	AMC417495	AMC417489	\$155.00
JEANIES PLACE #2	AMC417496	AMC417489	\$155.00
MOLLY GIRL #1	AMC417497	AMC417489	\$155.00
MOLLY GIRL #2	AMC417498	AMC417489	\$155.00

**United States Department of the Interior
Bureau of Land Management
BUSINESS & SUPPORT SVCS DIV
ONE N CENTRAL AVE SUITE 800
PHOENIX, AZ 85004 -4427
Phone: (602) 417-9200**

Receipt

No: 3650526

Transaction #: 3754545	
Date of Transaction: 09/01/2016	
CUSTOMER:	
DAN FOWLER JR 438 CHUCKWAGON ROAD JACKSBORO, TX 76458 US	

LINE #	QTY	DESCRIPTION	REMARKS	UNIT PRICE	TOTAL
1	1.00	LOCATABLE MINERALS / MINING CLAIMS- NOT NEW-UNADJUD, ONE AUTH NO. ONLY / MINING CLAIM MONEY RECEIVED CASES: AMC417490/\$1550.00		- n/a -	1550.00
TOTAL:					\$1,550.00

PAYMENT INFORMATION			
NOTE: Items will appear on credit card statement as "BLM O Mining Claim".			
1	AMOUNT:	1550.00	POSTMARKED: N/A
	TYPE:	CREDIT CARD	RECEIVED: 09/01/2016
	NAME:	DAN FOWLER JR 438 CHUCKWAGON ROAD JACKSBORO TX 76458 US	
	CARD NO:	XXXXXXXXXXXX4828	AUTH CODE: 001093
	NAME ON CARD:	DAN FOWLER JR	
	EXPIRES:	02/2018	
	SIGNATURE:		

REMARKS

This receipt was generated by the automated BLM Collections and Billing System and is a paper representation of a portion of the official electronic record contained therein.

Run Date: 09/08/15

Run Time: 09:20 AM

**DEPARTMENT OF THE INTERIOR
BUREAU OF LAND MANAGEMENT
MINING CLAIMS**

MC Maintenance Fees Paid Through the BLM Pay Portal

CBS Receipt: 3382667

Printed For Lead File # AMC417489

Agency Tracking ID: 1441002789

Assessment Year: 2016

Number of BLM Serial Nr: 10

Paid On: 08/31/2015

Total Amount Paid: \$1,550.00

Claim Name	BLM Serial No	Lead File No	Amount Paid
FORTUNA QUEEN #1	AMC417489	AMC417489	\$155.00
FORTUNA QUEEN #2	AMC417490	AMC417489	\$155.00
FORTUNA QUEEN #3	AMC417491	AMC417489	\$155.00
FORTUNA QUEEN #4	AMC417492	AMC417489	\$155.00
FORTUNA QUEEN #5	AMC417493	AMC417489	\$155.00
FORTUNA QUEEN #6	AMC417494	AMC417489	\$155.00
JEANIES PLACE #1	AMC417495	AMC417489	\$155.00
JEANIES PLACE #2	AMC417496	AMC417489	\$155.00
MOLLY GIRL #1	AMC417497	AMC417489	\$155.00
MOLLY GIRL #2	AMC417498	AMC417489	\$155.00

United States Department of the Interior
Bureau of Land Management
 BUSINESS & SUPPORT SVCS DIV
 ONE N CENTRAL AVE SUITE 800
 PHOENIX, AZ 85004 -4427
 Phone: (602) 417-9200

Receipt

No: 3382667

Transaction #: 3480983	
Date of Transaction: 08/31/2015	
CUSTOMER:	
JOHN E ZIELKE 4 BALAAM DR BUNDABERG, QUE 4670	

LINE #	QTY	DESCRIPTION	REMARKS	UNIT PRICE	TOTAL
1	1.00	LOCATABLE MINERALS / MINING CLAIMS- NOT NEW-UNADJUD, ONE AUTH NO. ONLY / MINING CLAIM MONEY RECEIVED CASES: AMC417489/\$1550.00		- n/a -	1550.00
TOTAL:					\$1,550.00

PAYMENT INFORMATION					
NOTE: Items will appear on credit card statement as "BLM O Mining Claim".					
1	AMOUNT:	1550.00	POSTMARKED:	N/A	
	TYPE:	CREDIT CARD	RECEIVED:	08/31/2015	
	NAME:	JOHN E ZIELKE 4 BALAAM DR BUNDABERG QUE 4670			
	CARD NO:	XXXXXXXXXXXX9284	AUTH CODE:	R85992	
	NAME ON CARD:	JOHN E ZIELKE			
	EXPIRES:	05/2019			
	SIGNATURE:				

REMARKS

This receipt was generated by the automated BLM Collections and Billing System and is a paper representation of a portion of the official electronic record contained therein.

Run Date: 08/27/14

51

Run Time: 10:10 AM

**DEPARTMENT OF THE INTERIOR
BUREAU OF LAND MANAGEMENT
MINING CLAIMS**

417489

MC Maintenance Fees Paid Through the BLM Pay Portal

CBS Receipt: 3112063

Agency Tracking ID: 1216695102

Assessment Year: 2015

Paid On : 08/25/2014

Number of BLM Serial Nr: 10

Total Amount Paid: \$1,550.00

Claim Name	BLM Serial No	Lead File No	Case Type	Amount Paid
FORTUNA QUEEN #1	AMC417489	AMC417489	384201	\$155.00
FORTUNA QUEEN #2	AMC417490			\$155.00
FORTUNA QUEEN #3	AMC417491			\$155.00
FORTUNA QUEEN #4	AMC417492			\$155.00
FORTUNA QUEEN #5	AMC417493			\$155.00
FORTUNA QUEEN #6	AMC417494			\$155.00
JEANIES PLACE #1	AMC417495			\$155.00
JEANIES PLACE #2	AMC417496			\$155.00
MOLLY GIRL #1	AMC417497			\$155.00
MOLLY GIRL #2	AMC417498			\$155.00

United States Department of the Interior
Bureau of Land Management
 BUSINESS & SUPPORT SVCS DIV
 ONE N CENTRAL AVE SUITE 800
 PHOENIX, AZ 85004 -4427
 Phone: (602) 417-9200

Receipt

No: 3112063

Transaction #: 3203770	
Date of Transaction: 08/25/2014	
CUSTOMER:	
JAMES BEALL 13323 W COPPERSTONE DR SUN CITY WEST, AZ 85375	

LINE #	QTY	DESCRIPTION	REMARKS	UNIT PRICE	TOTAL
1	1.00	LOCATABLE MINERALS / MINING CLAIMS- NOT NEW-UNADJUD, ONE AUTH NO. ONLY / MINING CLAIM MONEY RECEIVED CASES: AMC417492/\$1550.00		- n/a -	1550.00
TOTAL:					\$1,550.00

PAYMENT INFORMATION					
NOTE: Items will appear on credit card statement as "BLM O Mining Claim".					
1	AMOUNT:	1550.00	POSTMARKED:	N/A	
	TYPE:	CREDIT CARD	RECEIVED:	08/25/2014	
	NAME:	JAMES BEALL 13323 W COPPERSTONE DR SUN CITY WEST AZ 85375			
	CARD NO:	XXXXXXXXXXXX2056	AUTH CODE:	025434	
	NAME ON CARD:	JAMES BEALL			
	EXPIRES:	05/2015			
	SIGNATURE:				

REMARKS

This receipt was generated by the automated BLM Collections and Billing System and is a paper representation of a portion of the official electronic record contained therein.

AMC 417489

UNITED STATES
DEPARTMENT OF THE INTERIOR
BUREAU OF LAND MANAGEMENT
**MAINTENANCE FEE PAYMENT FORM
FOR PLACER MINING CLAIMS**

Remitter Name: FORTUNA QUEEN LLC

Mailing Address: 14537 W. GRAND AVE - 215

City, State, Zip: SURPRISE, AZ. 85374

Check here if this is a change of address.

FOR COUNTY RECORDER'S USE

No. of claims 10
Total due BLM \$ 1400.00

- The maintenance fee may be paid by cash, check, money order, Bureau of Land Management (BLM) Declining Deposit Account, or credit card (VISA, American Express, Discover, or MasterCard). Payments must be remitted to the BLM State Office where your claim or site is recorded and received on or before September 1. If the payment is mailed, the envelope must be postmarked by a bona fide delivery service on or before September 1 and received at the proper BLM State Office within 15 calendar days after the due date. Payments may also be made by telephone using a credit card. A complete listing of BLM State Offices with their addresses and phone numbers can be found at <http://www.blm.gov>.
- The maintenance fee for the following claim(s) applies to the assessment year 2014.

CLAIM NAME	BLM SERIAL NO.	ACRES IN CLAIM	PAYMENT DUE TO THE BLM (See Instructions on Page 2)
FORTUNA QUEEN #1	AMC 417489	20	\$ 140.00
" " #2	" 417490	20	\$ 140.00
" " #3	" 417491	20	\$ 140.00
" " #4	" 417492	20	\$ 140.00
" " #5	" 417493	20	\$ 140.00
" " #6	" 417494	20	\$ 140.00
JEANIES PLACE #1	" 417495	20	\$ 140.00
" " #2	" 417496	20	\$ 140.00
MOLLY GIRL #1	" 417497	20	- \$ 140.00
" " #2	" 417498	20	\$ 140.00

Use a separate sheet for additional claim names, serial numbers, and claimant names and addresses.

ENTERED
(Continued on page 2)
SEP 03 2013
BY: 18

2013 AUG 26 P 1:21
RECEIVED
BLM AZ STATE OFFICE

NO. OF CLAIMS 10
AMOUNT 1400
RECEIPT NO. 2864693
INIT. SC

** BLM-ASO**

United States Department of the Interior
Bureau of Land Management
 LANDS/RECREATION & PLANNING
 ONE N CENTRAL AVE
 PHOENIX, AZ 85004 -2203
 Phone: 602-417-9200

Receipt

No: 2864693

Transaction #: 2950597	
Date of Transaction: 08/26/2013	
CUSTOMER:	
	FORTUNA QUEEN LLC 14537 W GRAND AVE # 215 SURPRISE, AZ 85374-8649 US

LINE #	QTY	DESCRIPTION	REMARKS	UNIT PRICE	TOTAL
1	1.00	LOCATABLE MINERALS / MINING CLAIMS- NOT NEW-UNADJUD, ONE AUTH NO. ONLY / MINING CLAIM MONEY RECEIVED CASES: AMC417489/\$1400.00	MAINT 2014 (10)	- n/a -	1400.00
TOTAL:					\$1,400.00

PAYMENT INFORMATION			
1	AMOUNT:	1400.00	POSTMARKED: N/A
	TYPE:	CHECK	RECEIVED: 08/26/2013
	CHECK NO:	1171	
	NAME:	, CONLON DENNIS 23306 N 70TH LN GLENDALE AZ 85310 US	

REMARKS

This receipt was generated by the automated BLM Collections and Billing System and is a paper representation of a portion of the official electronic record contained therein.

NOTICE!!

These documents have been scanned!

Do not place un-scanned documents beneath this notice!

Do not remove this notice from this file!

GPO Jacket No. 560-102
Print Order 61540
Rise Business Services, LLC
Job=AZ15 5/13/2019



Box Number= AZ15045



Claim Begin-End: AMC417489-AMC417505

6 Location Notices-Amendments and Supporting Documents



AZ15045-16

AMC416896-AMC417639

MINING CLAIM STATUS REPORT

MTP Checked by VME

DATA ENTERED SEP 28 2012 PB

GEO Checked by _____

LEAD SERIAL NUMBER AMC 417489 thru AMC 417505

OF CLAIMS & TYPE

_____ LODE
 # 17 PLACER
 # _____ ASSOCIATION PLACER
 # _____ MILL SITE
 # _____ TUNNEL SITE

CHARGES

Location Fee @ \$34 = \$ 578
 Processing Fee @ \$15 = \$ 255
 Maintenance Fee @ \$140 = \$ 2,380
 Overage (+) \$ _____
 Shortage (-) \$ _____
 Other Fees \$ _____
TOTAL \$ 3,213

TOTAL CLAIM ACREAGE? 30 ea

OF LOCATORS? 1

DOCUMENTS RECEIVED VIA -

Over-the-Counter Mail

TIMELY FILED?

Yes No

LEGAL DESCRIPTION -

T 9N R 2W SEC 4, 8, 9, 5
 T 10N R 2W SEC 23, 24
 T _____ R _____ SEC _____
 T _____ R _____ SEC _____

BLM FOREST SERVICE Prescott SUBJ TO PL 359: Yes No

WILDERNESS AREA: No Yes

SPLIT ESTATE - N/A SX PX SRHA OTHER

Proper Notice Filed if Located on SHRA Lands? N/A Yes No

RECONVEYED MINERALS ON BLM LANDS REQUIRE OPENING ORDERS FROM 1944 TO 1993 -

Open to Entry on: _____ N/A

COMMENTS/STATUS - VOID PARTIALLY VOID PVT MINERALS WITHDRAWN LANDS

OTHER ~~417489~~

AMC 417492 - claim is located w/in NE 1/4 but LLD gives NW 1/4

AMC 417495 - map shows SE 1/4 of (Sect 5) & NE (Sect 8), LLD show NE & NW w/out Section, therefore should amend legal

Claimant acknowledges that portions of the following claims(s) site(s) may be void or voidable.

AMC 417499-417501 - lack complete LLD, therefore should amend to provide Meridian TR, Sect 2 1/4 Section
AMC 417489-417498 did not provide TR info in proper place

Printed Name of Claimant _____ Signature of Claimant _____

***** FINAL ADJUDICATION *****

DATE 4-25-13 INITIALS RE

AMC 417489

AAE

LOCATION NOTICE FOR PLACER MINING CLAIM

NOTICE IS HEREBY GIVEN that the FORTUNA QUEEN #1
_____ placer mining claim has been located by
FORTUNA QUEEN L.L.C whose current mailing
address is 14537 W. GRAND AVE. SUITE 215
SURPRISE AZ. 85374

BLM
Date
Stamp

RECEIVED
BLM AZ STATE OFFICE

2012 SEP 17 A 10:31
PHOENIX, ARIZONA

The general course of this claim is WEST TO EAST and it is situated in
YAVAPAI County, Arizona.

This claim is 1320 feet in length and 660 feet in width. This claim runs from the
location monument on which this location notice is posted approximately 1320 feet in a EAST
direction to the NORTH EAST end line and 660 feet in a SOUTH direction to the SOUTH EAST end line.

This claim is marked by four monuments, one at each corner of the claim.

The location monument on which this notice is posted is situated within Section 8, Township
9 N, Range 2 W, Gila Salt River Base and Meridian, Arizona. This claim encompasses
portions of the following legal subdivision(s) if located by legal subdivision or the following quarter section (s),
section (s), Township (s) and Range (s) NW 1/2 NE 1/4 NE 1/4
_____, Gila Salt River Base and Meridian, Arizona.

The locality of this claim with reference to some natural object or permanent monument and additional
information (if any) concerning its locality are as follows: 500 FEET NORTH WEST OF
LOWER OAK CREEK WINDMILL

DATED AND POSTED on the ground this 2 day of SEPTEMBER, 2012

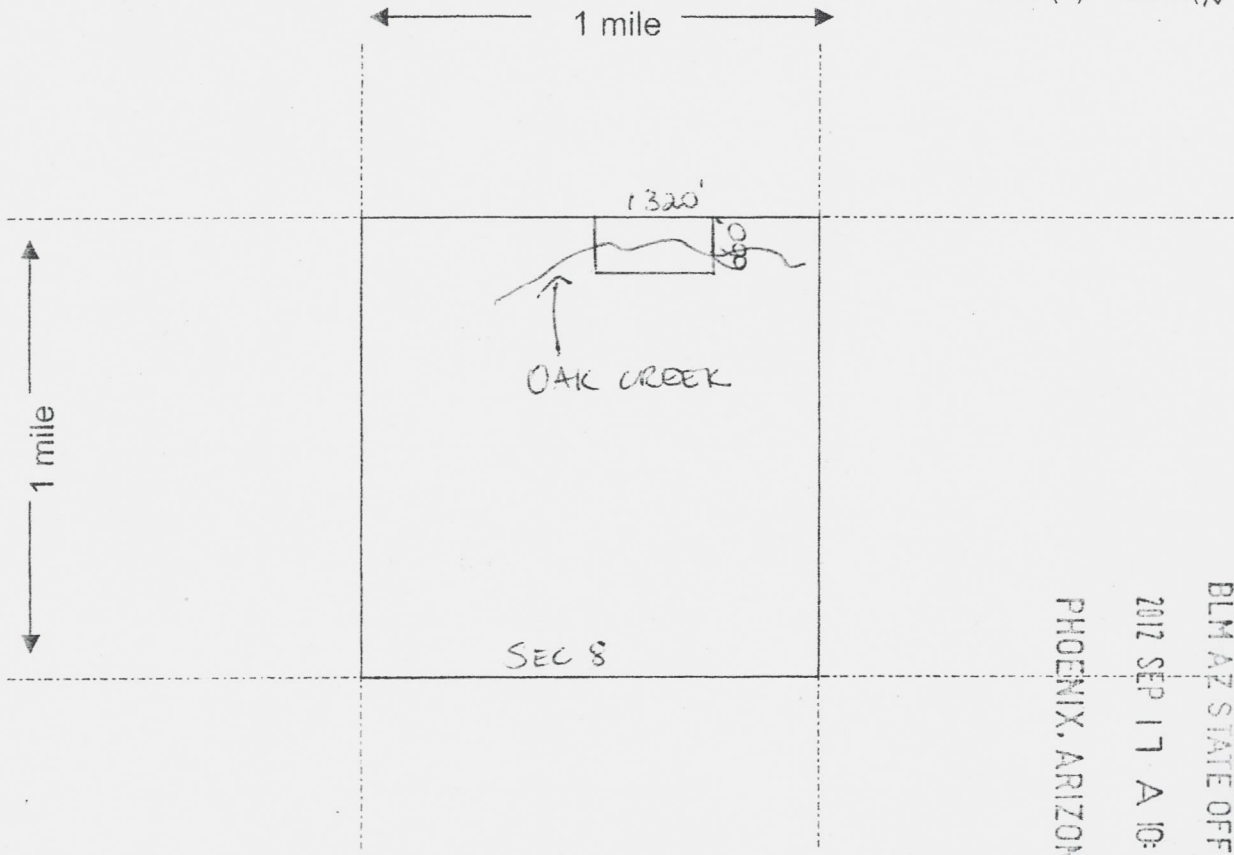
LOCATOR(S) FORTUNA QUEEN L.L.C.

Form MCF102
Revised July 2005

AMC 417489

MINING CLAIM MAP

Lode () Placer (X)



Scale : 1" = 2000 feet



PHOENIX, ARIZONA

2012 SEP 17 A 10:31

RECEIVED
BLM AZ STATE OFFICE

ANCH 17489

1. The above map depicts the FORTUNA QUEEN #1 mining claim, which is located in Section (s) 8, Township 9 N, Range 2 W, Gila and Salt River Base and Meridian, YAVAPAI County, Arizona.

2. The type of corner and location monuments used are as follows: 2" PVC PIPE

3. The bearings and distances in degrees and feet between claim corners are as depicted on the map.

Form MCF100a
Revised July 2005

LOCATION NOTICE FOR PLACER MINING CLAIM

NOTICE IS HEREBY GIVEN that the FORTUNA QUEEN #2

_____ placer mining claim has been located by

FORTUNA QUEEN L.L.C whose current mailing address is 14537 W. GRAND AVE. SUITE 215 SURPRISE AZ. 85374

RECEIVED
BLM AZ STATE OFFICE
2012 SEP 17 A 10:31
PHOENIX, ARIZONA

BLM
Date
Stamp

The general course of this claim is WEST TO EAST and it is situated in

YAVAPAI County, Arizona.

This claim is 1320 feet in length and 660 feet in width. This claim runs from the location monument on which this location notice is posted approximately 1320 feet in a EAST direction to the NORTH EAST end line and 660 feet in a SOUTH direction to the SOUTH EAST end line.

This claim is marked by four monuments, one at each corner of the claim.

The location monument on which this notice is posted is situated within Section 8, Township 9 N, Range 2 W, Gila Salt River Base and Meridian, Arizona. This claim encompasses portions of the following legal subdivision(s) if located by legal subdivision or the following quarter section (s), section (s), Township (s) and Range (s) NE 1/4 NE 1/4 NE 1/4, Gila Salt River Base and Meridian, Arizona.

The locality of this claim with reference to some natural object or permanent monument and additional information (if any) concerning its locality are as follows: 1400 FEET EAST OF LOWER OAK CREEK WINDMILL

DATED AND POSTED on the ground this 2 day of SEPTEMBER 2012

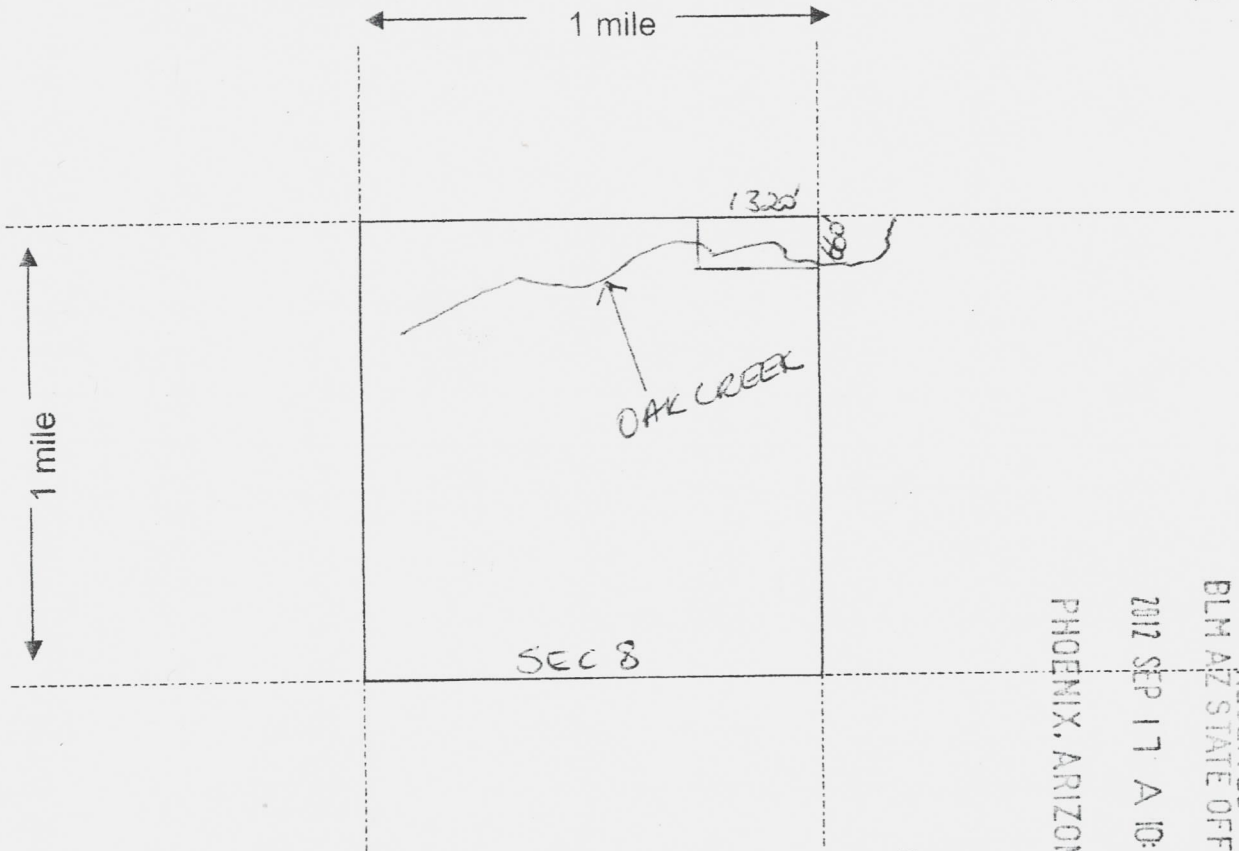
LOCATOR (S) FORTUNA QUEEN L.L.C.

Form MCF102
Revised July 2005

AIIC 417490

MINING CLAIM MAP

Lode () Placer (x)



Scale : 1" = 2000 feet



PHOENIX, ARIZONA

2012 SEP 17 A 10:31

RECEIVED
BLM AZ STATE OFFICE

ANCH 17490

1. The above map depicts the FORTUNA QUEEN #2 mining claim, which is located in Section (s) 8, Township 9 N, Range 2 W, Gila and Salt River Base and Meridian, YAVAPAI County, Arizona.

2. The type of corner and location monuments used are as follows: 2" P.V.C. PIPE

3. The bearings and distances in degrees and feet between claim corners are as depicted on the map.

Form MCF100a
Revised July 2005

This form is available from the Arizona Department of Mines & Mineral Resources and may be reproduced.

LOCATION NOTICE FOR PLACER MINING CLAIM

NOTICE IS HEREBY GIVEN that the FORTUNA QUEEN #3
_____ placer mining claim has been located by
FORTUNA QUEEN L.L.C. whose current mailing
address is 14537 W. GRAND AVE. SUITE 215
SURPRISE AZ 85374

BLM
Date
Stamp

PHOENIX, ARIZONA

2012 SEP 17 A 10:31

RECEIVED
BLM AZ STATE OFFICE

The general course of this claim is WEST TO EAST and it is situated in
YAVAPAI County, Arizona.

This claim is 1320 feet in length and 660 feet in width. This claim runs from the
location monument on which this location notice is posted approximately 1320 feet in a EAST
direction to the NORTH EAST end line and 660 feet in a SOUTH direction to the SOUTH EAST end line.

This claim is marked by four monuments, one at each corner of the claim.

The location monument on which this notice is posted is situated within Section 9, Township
9 N, Range 2 W, Gila Salt River Base and Meridian, Arizona. This claim encompasses
portions of the following legal subdivision(s) if located by legal subdivision or the following quarter section (s),
section (s), Township (s) and Range (s) NW 1/2 NW 1/4 NW 1/4
_____, Gila Salt River Base and Meridian, Arizona.

The locality of this claim with reference to some natural object or permanent monument and additional
information (if any) concerning its locality are as follows: 2700 FEET EAST OF
LOWER OAK CREEK WINDMILL

DATED AND POSTED on the ground this 2 day of SEPTEMBER, 2012

LOCATOR(S) FORTUNA QUEEN L.L.C.

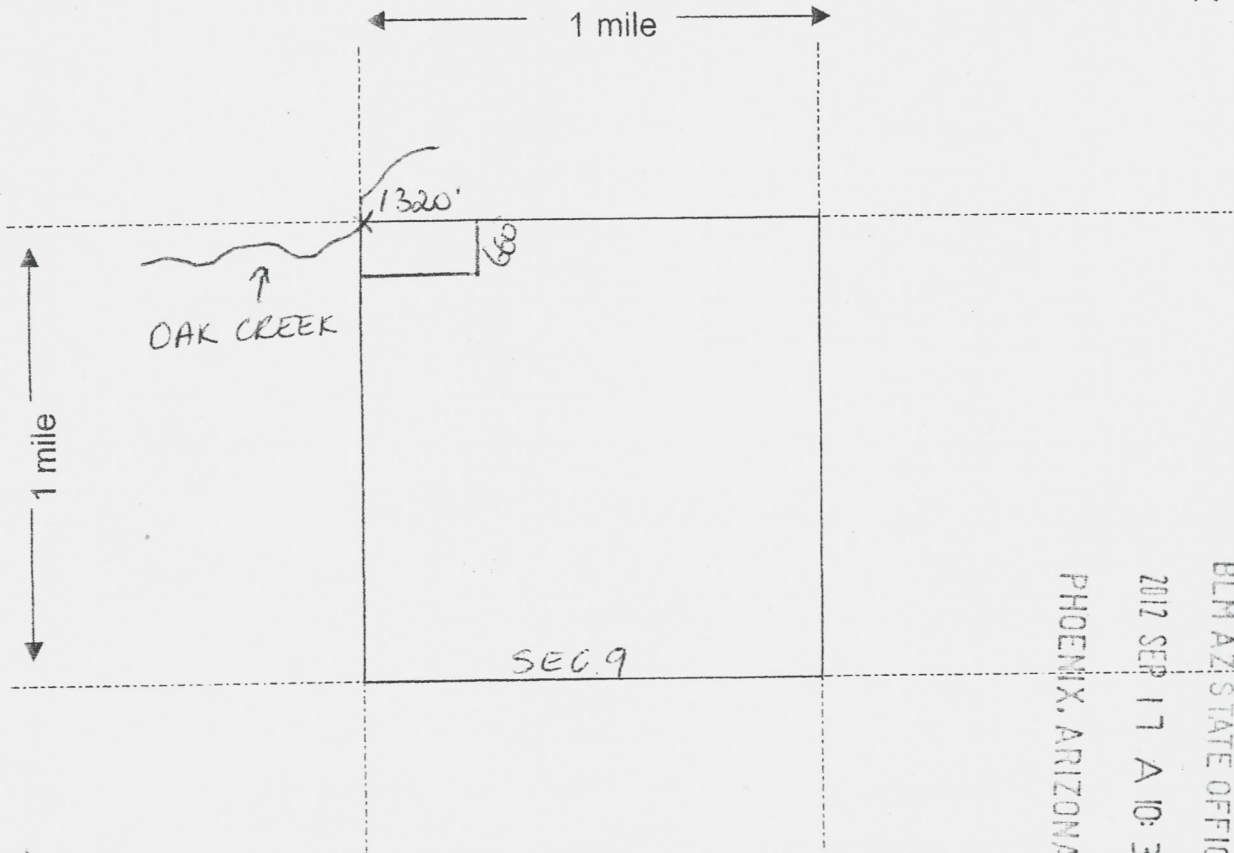
Form MCF102
Revised July 2005

This form is available from the Arizona Department of Mines & Mineral Resources and may be reproduced.

ANCI 117491

MINING CLAIM MAP

Lode () Placer (X)



Scale : 1" = 2000 feet



RECEIVED
 BLM AZ STATE OFFICE
 2012 SEP 17 A 10:31
 PHOENIX, ARIZONA

1. The above map depicts the FORTUNA QUEEN #3 mining claim, which is located in Section (s) 9, Township 9 N, Range 2 W, Gila and Salt River Base and Meridian, YAVAPAI County, Arizona.

2. The type of corner and location monuments used are as follows: 2" P.V.C. PIPE.

3. The bearings and distances in degrees and feet between claim corners are as depicted on the map.

Form MCF100a
 Revised July 2005

This form is available from the Arizona Department of Mines & Mineral Resources and may be reproduced.

AMC 417491

LOCATION NOTICE FOR PLACER MINING CLAIM

NOTICE IS HEREBY GIVEN that the FORTUNA QUEEN # 4

_____ placer mining claim has been located by

FORTUNA QUEEN LLC. whose current mailing address is 14537 W. GRAND AVE. SUITE 215 SURPRISE AZ. 85374

BLM
Date
Stamp
2012 SEP 17 A 10:31
PHOENIX, ARIZONA
RECEIVED
BLM AZ STATE OFFICE

The general course of this claim is WEST TO EAST and it is situated in YAVAPAI County, Arizona.

This claim is 1320 feet in length and 660 feet in width. This claim runs from the location monument on which this location notice is posted approximately 1320 feet in a EAST direction to the NORTH WEST end line and 660 feet in a SOUTH direction to the SOUTH EAST end line.

This claim is marked by four monuments, one at each corner of the claim.

The location monument on which this notice is posted is situated within Section 8, Township 9 N, Range 2 W, Gila Salt River Base and Meridian, Arizona. This claim encompasses portions of the following legal subdivision(s) if located by legal subdivision or the following quarter section (s), section (s), Township (s) and Range (s) S 1/2 NW 1/4 NW 1/4, Gila Salt River Base and Meridian, Arizona.

The locality of this claim with reference to some natural object or permanent monument and additional information (if any) concerning its locality are as follows: 400 FEET SOUTH OF LOWER OAK CREEK

DATED AND POSTED on the ground this 2 day of SEPTEMBER, 2012

LOCATOR (s) FORTUNA QUEEN LLC.

Form MCF102
Revised July 2005

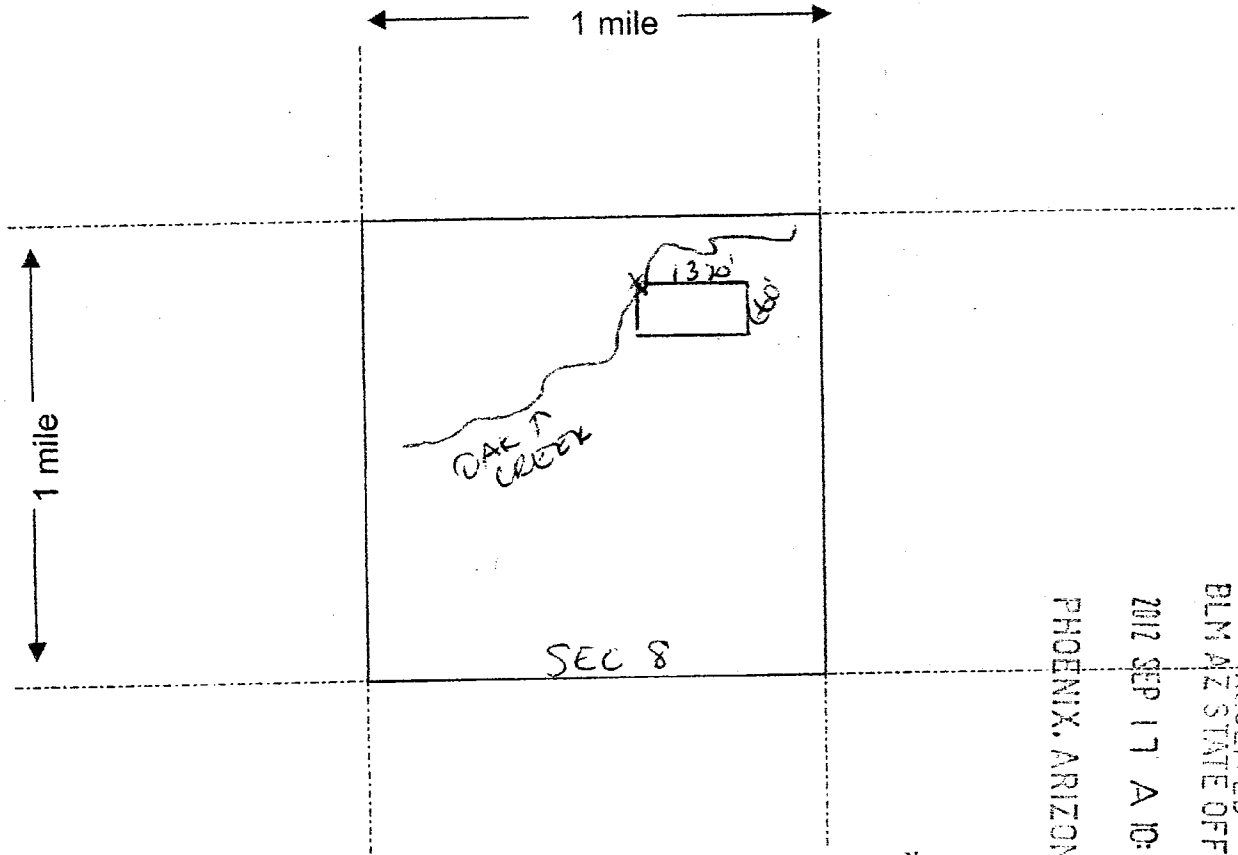
This form is available from the Arizona Department of Mines & Mineral Resources and may be reproduced.

Depicted in the
NE 1/4 of sec 8

ANCI 17492

MINING CLAIM MAP

Lode () Placer (X)



Scale : 1" = 2000 feet

RECEIVED
BLM AZ STATE OFFICE
2012 SEP 17 A 10:31
PHOENIX, ARIZONA

1. The above map depicts the FORTUNA QUEEN #4 mining claim, which is located in Section (s) 8, Township 9 N, Range 2 W, Gila and Salt River Base and Meridian, YAVAPAI County, Arizona.
2. The type of corner and location monuments used are as follows: 2" PVC PIPE
3. The bearings and distances in degrees and feet between claim corners are as depicted on the map.

Form MCF100a
Revised July 2005

This form is available from the Arizona Department of Mines & Mineral Resources and may be reproduced.

AT10417492

RECEIVED
BLM AZ STATE OFFICE

2012 SEP 17 A 10:32
PHOENIX, ARIZONA

BLM
Date
Stamp

LOCATION NOTICE FOR PLACER MINING CLAIM

NOTICE IS HEREBY GIVEN that the FORTUNA QUEEN #5
placer mining claim has been located by
FORTUNA QUEEN L.L.C. whose current mailing
address is 14537 W. GRAND AVE. SUITE 215
SURPRISE AZ. 85374

The general course of this claim is WEST TO EAST and it is situated in
YAVAPAI County, Arizona.

This claim is 1320 feet in length and 660 feet in width. This claim runs from the
location monument on which this location notice is posted approximately 1320 feet in a EAST
direction to the NORTH EAST end line and 660 feet in a SOUTH direction to the SOUTH EAST end line.

This claim is marked by four monuments, one at each corner of the claim.

The location monument on which this notice is posted is situated within Section 8, Township
9 N, Range 2 W, Gila Salt River Base and Meridian, Arizona. This claim encompasses
portions of the following legal subdivision(s) if located by legal subdivision or the following quarter section (s),
section (s), Township (s) and Range (s) SW 2, NE 1/4, NE 1/4
Gila Salt River Base and Meridian, Arizona.

The locality of this claim with reference to some natural object or permanent monument and additional
information (if any) concerning its locality are as follows: 1700 FEET EAST OF
LOWER OAK CREEK WINDMILL

DATED AND POSTED on the ground this 2 day of SEPTEMBER, 2012

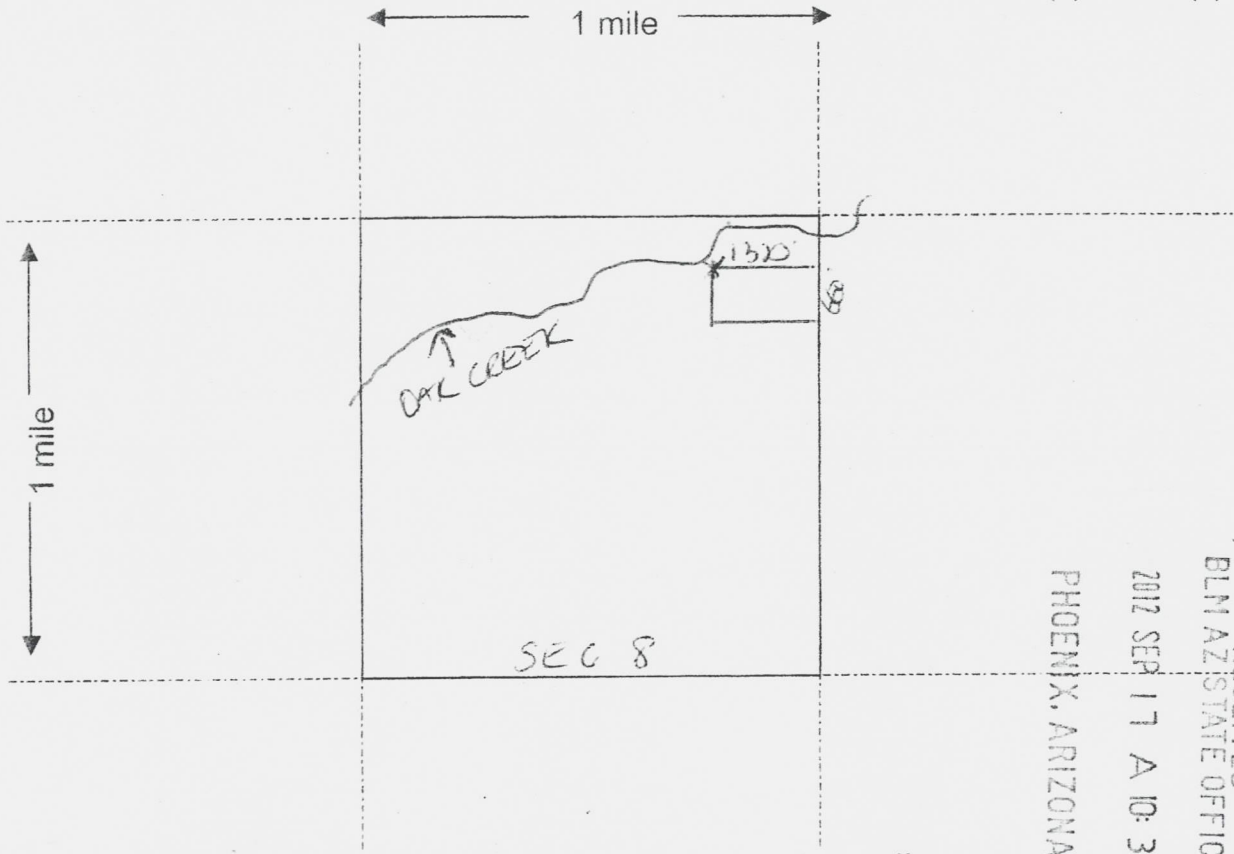
LOCATOR(S) FORTUNA QUEEN L.L.C.

Form MCF102
Revised July 2005

ANCI 17493

MINING CLAIM MAP

Lode () Placer (x)



Scale : 1" = 2000 feet



RECEIVED
 BLM AZ STATE OFFICE
 2012 SEP 17 A 10:32
 PHOENIX, ARIZONA

1. The above map depicts the FORTUNA QUEEN #5 mining claim, which is located in Section (s) 8, Township 9 N, Range 2 W, Gila and Salt River Base and Meridian,

YAVAPAI County, Arizona.
 2. The type of corner and location monuments used are as follows: 2" P.V.C. PIPE

3. The bearings and distances in degrees and feet between claim corners are as depicted on the map.

Form MCF100a
 Revised July 2005

This form is available from the Arizona Department of Mines & Mineral Resources and may be reproduced.

AN 417493

RECEIVED
BLM AZ STATE OFFICE

2012 SEP 17 A 10:32
PHOENIX, ARIZONA

BLM
Date
Stamp

LOCATION NOTICE FOR PLACER MINING CLAIM

NOTICE IS HEREBY GIVEN that the FORTUNA QUEEN #6
_____ placer mining claim has been located by
FORTUNA QUEEN L.L.C. whose current mailing
address is 14537 W. GRAND AVE. SUITE 215
SURPRISE AZ. 85374

The general course of this claim is WEST TO EAST and it is situated in
YAVAPAI County, Arizona.

This claim is 1320 feet in length and 660 feet in width. This claim runs from the
location monument on which this location notice is posted approximately 1320 feet in a EAST
direction to the N.E. end line and 660 feet in a SOUTH direction to the S.E. end line.

This claim is marked by four monuments, one at each corner of the claim.

The location monument on which this notice is posted is situated within Section 9, Township
9 N, Range 2 W, Gila Salt River Base and Meridian, Arizona. This claim encompasses
portions of the following legal subdivision(s) if located by legal subdivision or the following quarter section (s),
section (s), Township (s) and Range (s) S¹/₂, NW¹/₄ NW¹/₄
_____, Gila Salt River Base and Meridian, Arizona.

The locality of this claim with reference to some natural object or permanent monument and additional
information (if any) concerning its locality are as follows: 3200 FEET EAST OF
LOWER OAK CREEK WINDMILL

DATED AND POSTED on the ground this 2 day of SEPTEMBER, 2012

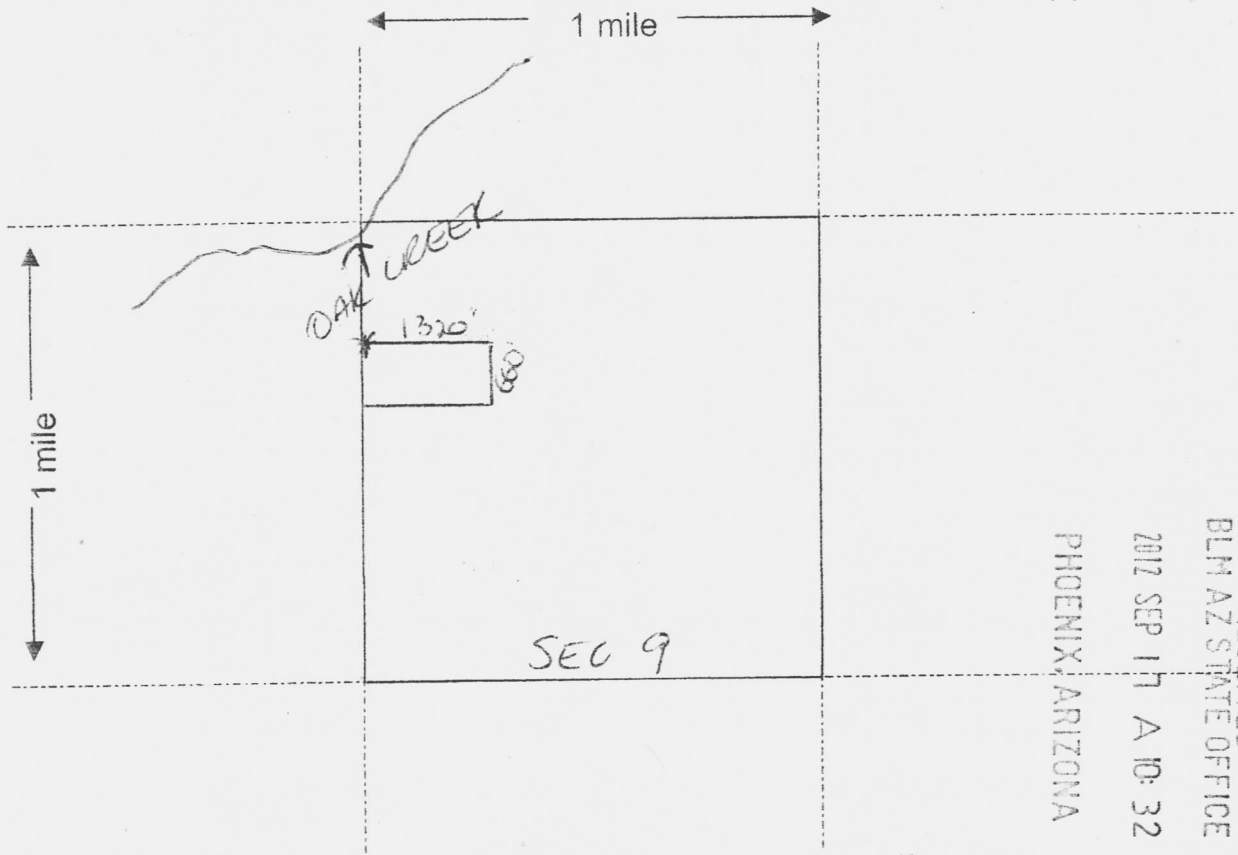
LOCATOR (s) FORTUNA QUEEN L.L.C.

Form MCF102
Revised July 2005

ANCI 11494

MINING CLAIM MAP

Lode () Placer (x)



Scale : 1" = 2000 feet



RECEIVED
BLM AZ STATE OFFICE
2012 SEP 17 A 10:32
PHOENIX, ARIZONA

ANC 117494

1. The above map depicts the FORTUNA QUEEN #6 mining claim, which is located in Section (s) 9, Township 9 N, Range 2 W, Gila and Salt River Base and Meridian, YAVAPAI County, Arizona.

2. The type of corner and location monuments used are as follows: 2" PVC PIPE

3. The bearings and distances in degrees and feet between claim corners are as depicted on the map.

Form MCF100a
Revised July 2005

This form is available from the Arizona Department of Mines & Mineral Resources and may be reproduced.

RECEIVED
BLM AZ STATE OFFICE

2012 SEP 17 A 10: 32

PHOENIX, ARIZONA

BLM Date Stamp

LOCATION NOTICE FOR PLACER MINING CLAIM

NOTICE IS HEREBY GIVEN that the JEANIES PLACE #1
 _____ placer mining claim has been located by
FORTUNA QUEEN L.L.C whose current mailing
 address is 14537 N. GRAND AVE SUITE 215
SURPRISE AZ. 85374

The general course of this claim is SOUTH TO NORTH and it is situated in
YAVAPAI County, Arizona.

This claim is 1320 feet in length and 660 feet in width. This claim runs from the
 location monument on which this location notice is posted approximately 1320 feet in a NORTH
 direction to the NORTH WEST end line and 660 feet in a EAST direction to the NORTH EAST end line.

This claim is marked by four monuments, one at each corner of the claim.

The location monument on which this notice is posted is situated within Section 8, Township
9 N, Range 2 W, Gila Salt River Base and Meridian, Arizona. This claim encompasses
 portions of the following legal subdivision(s) if located by legal subdivision or the following quarter section (s),
 section (s), Township (s) and Range (s) NE 1/4 NE 1/4 NE 1/4 & SW 1/4 NW 1/4 NW 1/4
 _____, Gila Salt River Base and Meridian, Arizona.

The locality of this claim with reference to some natural object or permanent monument and additional
 information (if any) concerning its locality are as follows: 3600 FEET EAST OF
LOWER OAK CREEK WINDMILL

DATED AND POSTED on the ground this 2 day of SEPTEMBER, 2012

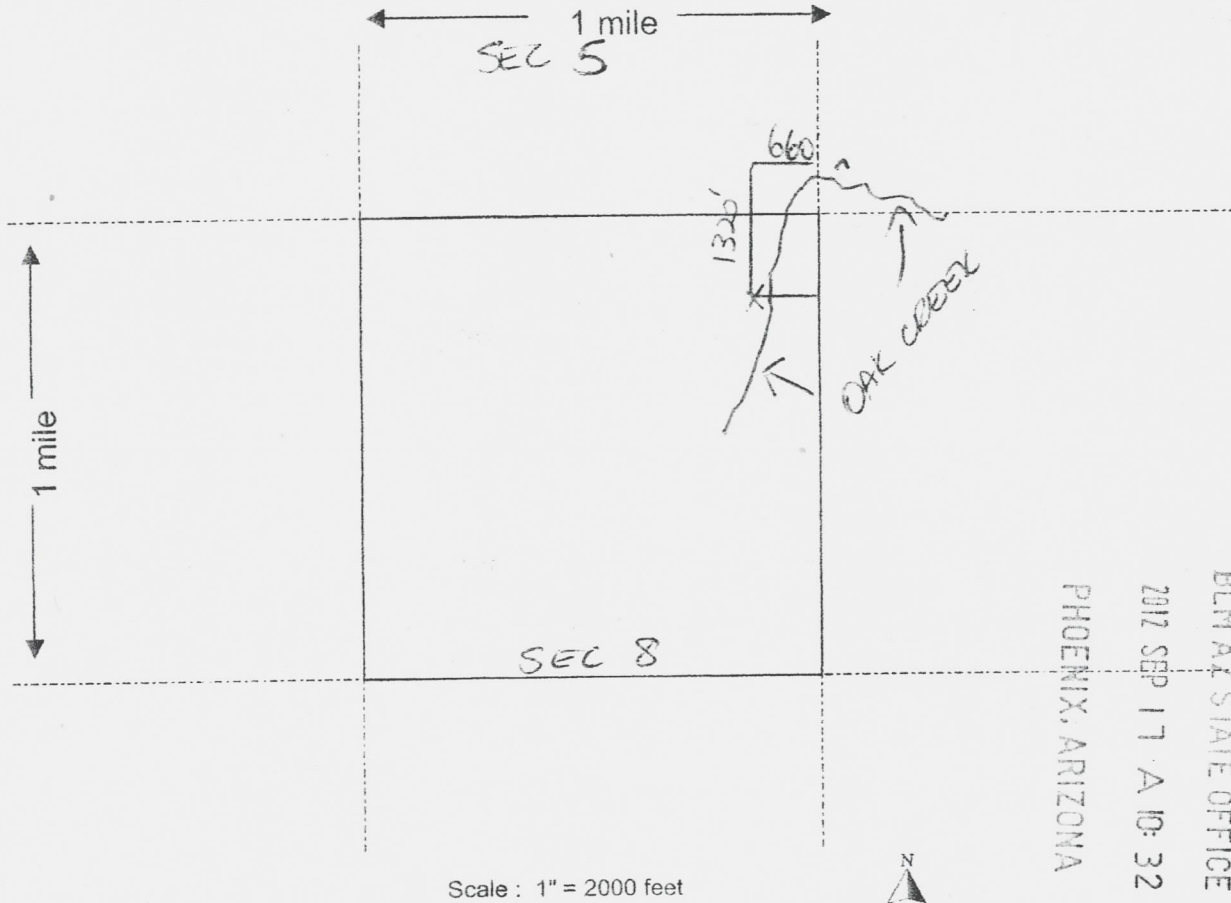
LOCATOR(S) FORTUNA QUEEN L.L.C.

Form MCF102
 Revised July 2005

AMC 117495

MINING CLAIM MAP

Lode () Placer (X)



RECEIVED
BLM AT STATE OFFICE

2012 SEP 17 A 10:32

PHOENIX, ARIZONA

Scale : 1" = 2000 feet

- The above map depicts the JEANIES PLACE #1 mining claim, which is located in Section (s) 5 & 8, Township 9 N, Range 2 W, Gila and Salt River Base and Meridian, YAVAPAI County, Arizona.
- The type of corner and location monuments used are as follows: 2" PVC PIPE
- The bearings and distances in degrees and feet between claim corners are as depicted on the map.

Form MCF100a
Revised July 2005

This form is available from the Arizona Department of Mines & Mineral Resources and may be reproduced.

ANCI 17495

RECEIVED
BLM AZ STATE OFFICE

2012 SEP 17 A 10: 32
PHOENIX, ARIZONA

BLM
Date
Stamp

LOCATION NOTICE FOR PLACER MINING CLAIM

NOTICE IS HEREBY GIVEN that the JEANIES PLACE #2
_____ placer mining claim has been located by
FORTUNA QUEEN L.L.C. whose current mailing
address is 14537 W. GRANDE AVE, SUITE 215
SURPRISE AZ 85374

The general course of this claim is WEST TO EAST and it is situated in
YAVAPAI County, Arizona.

This claim is 1320 feet in length and 660 feet in width. This claim runs from the
location monument on which this location notice is posted approximately 1320 feet in a WEST
direction to the NORTH EAST end line and 660 feet in a SOUTH direction to the SOUTH EAST end line.

This claim is marked by four monuments, one at each corner of the claim.

The location monument on which this notice is posted is situated within Section 4, Township
9 N, Range 2 W, Gila Salt River Base and Meridian, Arizona. This claim encompasses
portions of the following legal subdivision(s) if located by legal subdivision or the following quarter section (s),
section (s), Township (s) and Range (s) S.W. 1/2 SW 1/4 SW 1/4
_____, Gila Salt River Base and Meridian, Arizona.

The locality of this claim with reference to some natural object or permanent monument and additional
information (if any) concerning its locality are as follows: 4000 FEET NORTH EAST OF
LOWER OAK CREEK WINDMILL

DATED AND POSTED on the ground this 2 day of SEPTEMBER, 2012

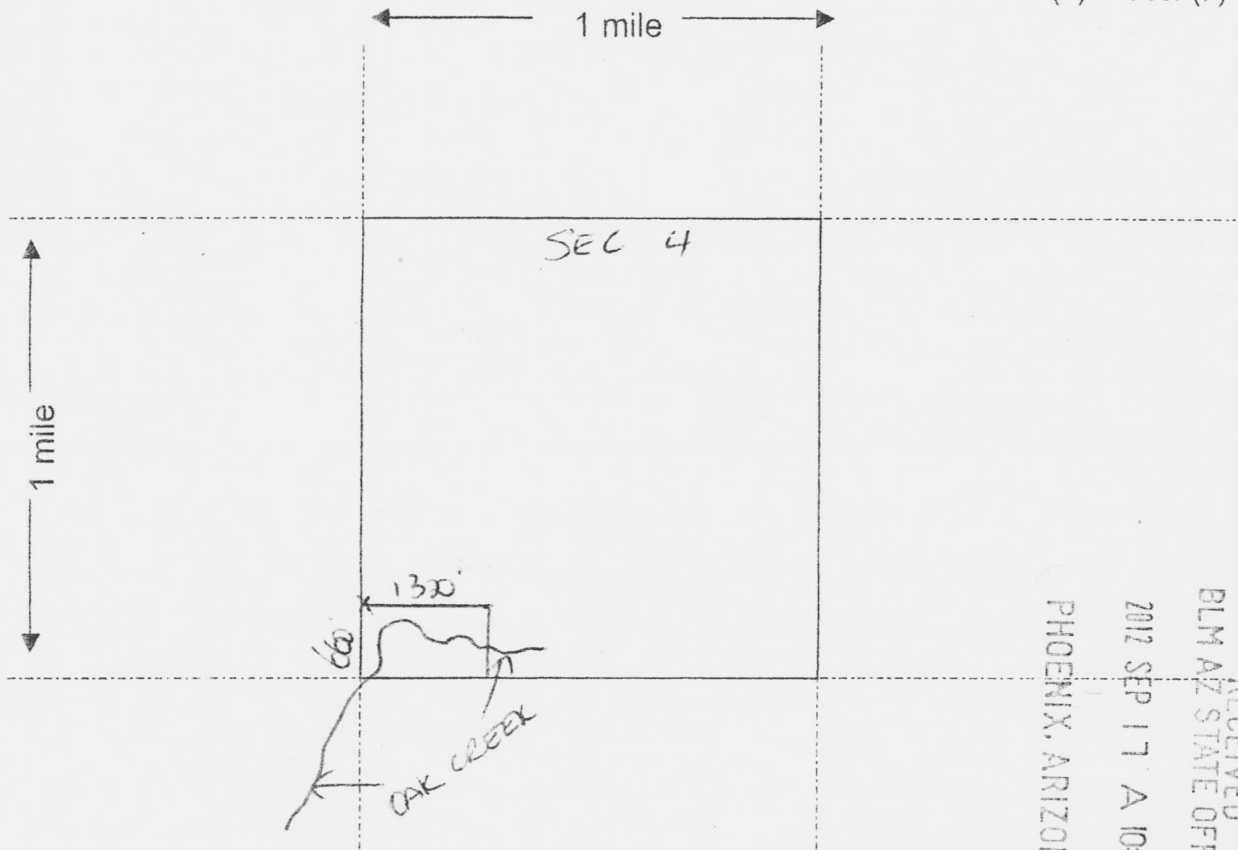
LOCATOR(S) FORTUNA QUEEN L.L.C.

Form MCF102
Revised July 2005

AMC 1171496

MINING CLAIM MAP

Lode () Placer (x)



Scale : 1" = 2000 feet



PHOENIX, ARIZONA

2012 SEP 17 A 10:32

RECEIVED
BLM AZ STATE OFFICE

1. The above map depicts the JEANIES PLACE #2 mining claim, which is located in Section (s) 4, Township 9 N, Range 2 W, Gila and Salt River Base and Meridian, YAVAPAI County, Arizona.

2. The type of corner and location monuments used are as follows: 2" PVC PIPE

3. The bearings and distances in degrees and feet between claim corners are as depicted on the map.

Form MCF100a
Revised July 2005

This form is available from the Arizona Department of Mines & Mineral Resources and may be reproduced.

ANC 417496

LOCATION NOTICE FOR PLACER MINING CLAIM

NOTICE IS HEREBY GIVEN that the MOLLY GIRL #1
_____ placer mining claim has been located by
FORTUNA QUEEN L.L.C. whose current mailing
address is 14537 W. GRAND AVE. SUITE 215
SURPRISE AZ 85374

BLM
Date
Stamp

RECEIVED
BLM AZ STATE OFFICE

2012 SEP 17 A 10:32
PHOENIX, ARIZONA

The general course of this claim is WEST TO EAST and it is situated in
YAVAPAI County, Arizona.

This claim is 1320 feet in length and 660 feet in width. This claim runs from the
location monument on which this location notice is posted approximately 1320 feet in a EAST
direction to the NORTH EAST end line and 660 feet in a SOUTH direction to the SOUTH EAST end line.

This claim is marked by four monuments, one at each corner of the claim.

The location monument on which this notice is posted is situated within Section 4, Township
9 N, Range 2 N, Gila Salt River Base and Meridian, Arizona. This claim encompasses
portions of the following legal subdivision(s) if located by legal subdivision or the following quarter section (s),
section (s), Township (s) and Range (s) S 1/2 SW 1/4 SW 1/4
_____, Gila Salt River Base and Meridian, Arizona.

The locality of this claim with reference to some natural object or permanent monument and additional
information (if any) concerning its locality are as follows: 5,200 FEET NORTH EAST OF
LOWER OAK CREEK WINDMILL

DATED AND POSTED on the ground this 2 day of SEPTEMBER, 2012

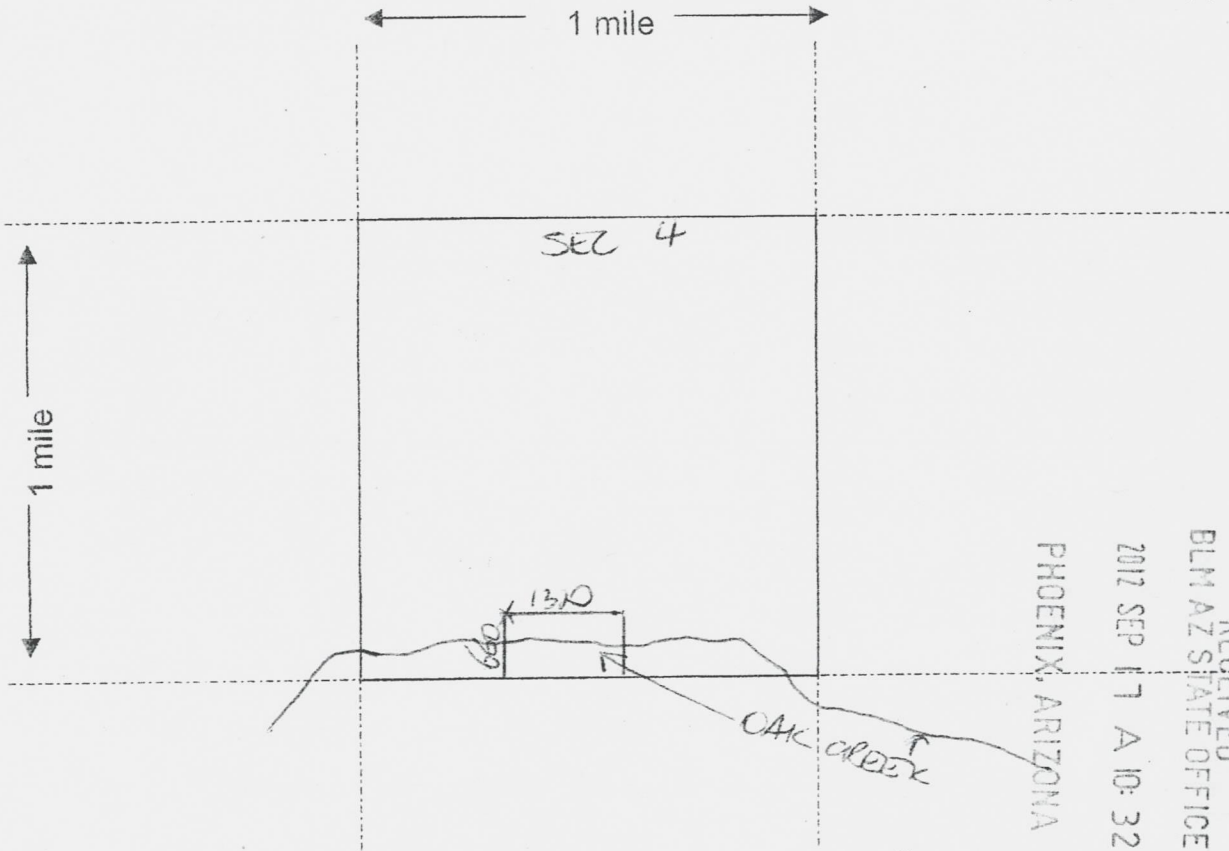
LOCATOR(S) FORTUNA QUEEN L.L.C.

Form MCF102
Revised July 2005

AMC1117497

MINING CLAIM MAP

Lode () Placer (X)



RECEIVED
BLM AZ STATE OFFICE
2012 SEP 17 A 10:32
PHOENIX, ARIZONA

Scale: 1" = 2000 feet

1. The above map depicts the MOLLY GIRL #1 mining claim, which is located in Section (s) 4, Township 9 N, Range 2 W, Gila and Salt River Base and Meridian, YAVAPAI County, Arizona.

2. The type of corner and location monuments used are as follows: 2" PVC PIPE

3. The bearings and distances in degrees and feet between claim corners are as depicted on the map.

Form MCF100a
Revised July 2005

This form is available from the Arizona Department of Mines & Mineral Resources and may be reproduced.

AMC 117497

RECEIVED
BLM AZ STATE OFFICE

2012 SEP 17 A 10:32
PHOENIX, ARIZONA

BLM
Date
Stamp

LOCATION NOTICE FOR PLACER MINING CLAIM

NOTICE IS HEREBY GIVEN that the MOLLY GIRL #2
_____ placer mining claim has been located by
FORTUNA QUEEN L.L.C. whose current mailing
address is 14537 W. GRAND AVE. SUITE 215
SURPRISE AZ. 85374

The general course of this claim is WEST TO EAST and it is situated in
YAVAPAI County, Arizona.

This claim is 1320 feet in length and 660 feet in width. This claim runs from the
location monument on which this location notice is posted approximately 1320 feet in a EAST
direction to the NORTH EAST end line and 660 feet in a SOUTH direction to the SOUTH EAST end line.

This claim is marked by four monuments, one at each corner of the claim.

The location monument on which this notice is posted is situated within Section 9, Township
9 N, Range 2 W, Gila Salt River Base and Meridian, Arizona. This claim encompasses
portions of the following legal subdivision(s) if located by legal subdivision or the following quarter section (s),
section (s), Township (s) and Range (s) N.E 1/4 N.W. 1/4 N.W. 1/4
_____, Gila Salt River Base and Meridian, Arizona.

The locality of this claim with reference to some natural object or permanent monument and additional
information (if any) concerning its locality are as follows: 5100 FEET N.E OF
LOWER OAK CREEK WINDMILL

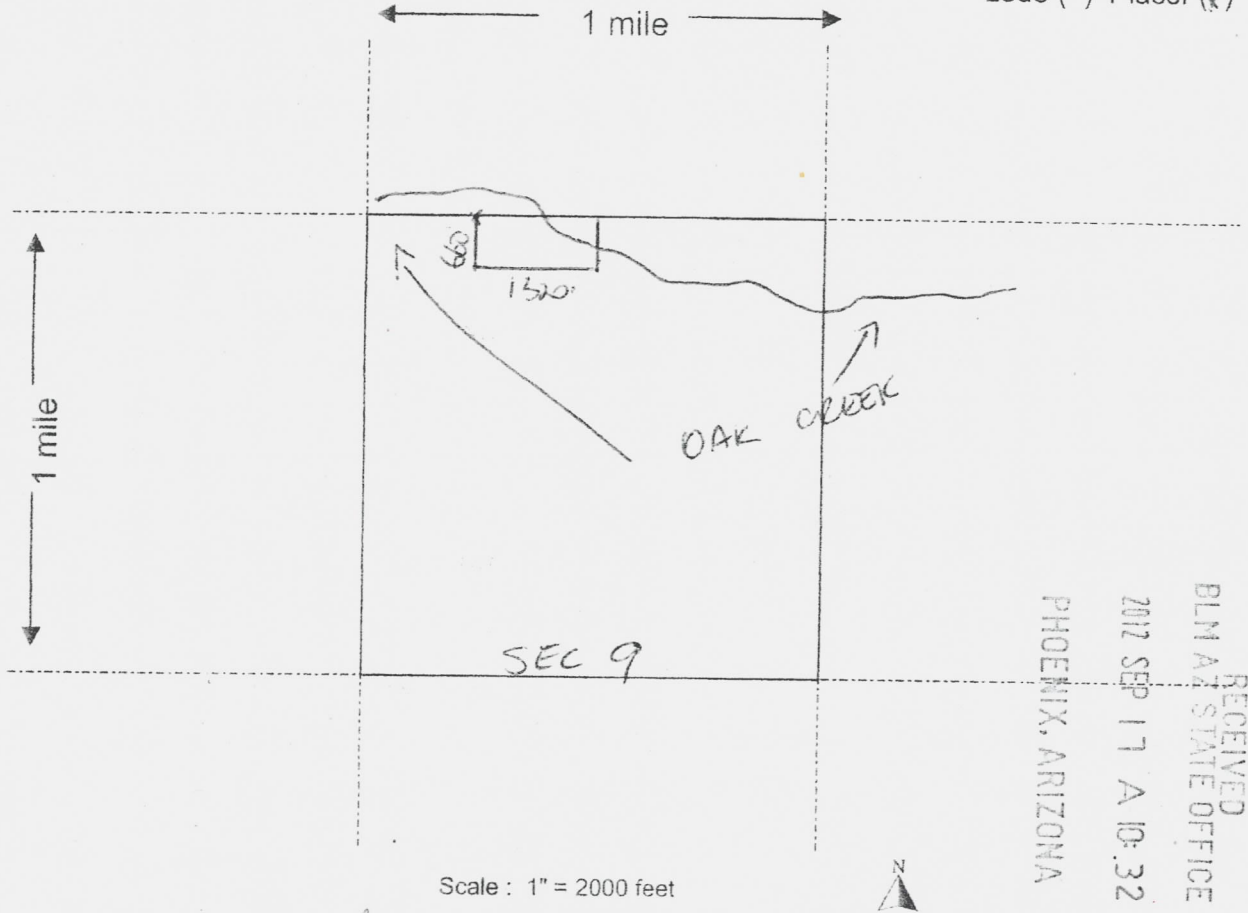
DATED AND POSTED on the ground this 2 day of SEPTEMBER, 2012
LOCATOR(S) FORTUNA QUEEN L.L.C.

Form MCF102
Revised July 2005

ANCH 17498

MINING CLAIM MAP

Lode () Placer (x)



RECEIVED
 BLM AZ STATE OFFICE
 2012 SEP 17 A 10:32
 PHOENIX, ARIZONA

Scale : 1" = 2000 feet

1. The above map depicts the MOLLY GIRL #2 mining claim, which is located in Section (s) 9, Township 9 N, Range 2 W, Gila and Salt River Base and Meridian, YAVAPAI County, Arizona.
2. The type of corner and location monuments used are as follows: 2" PVC PIPE
3. The bearings and distances in degrees and feet between claim corners are as depicted on the map.

Form MCF100a
 Revised July 2005

This form is available from the Arizona Department of Mines & Mineral Resources and may be reproduced.

ANCH 17498

LOCATION NOTICE FOR PLACER MINING CLAIM

NOTICE IS HEREBY GIVEN that the PATMOS 1
_____ placer mining claim has been located by
FORTUNA QUEEN LLC whose current mailing
address is 14537 N. GRAND AV. SUITE 215
SURPRISE 85374

RECEIVED
BLM AZ STATE OFFICE
2012 SEP 17 A 10:32
PHOENIX, ARIZONA
BLM
Date
Stamp

The general course of this claim is EAST TO WEST and it is situated in
YAVAPAI County, Arizona.

This claim is 1320 feet in length and 660 feet in width. This claim runs from the
location monument on which this location notice is posted approximately 1320 feet in a WEST
direction to the NORTH WEST end line and 660 feet in a SOUTH direction to the SOUTH WEST end line.

This claim is marked by four monuments, one at each corner of the claim.

The location monument on which this notice is posted is situated within Section 24, Township
10 N, Range 2 W, Gila Salt River Base and Meridian, Arizona. This claim encompasses
portions of the following legal subdivision(s) if located by legal subdivision or the following quarter section (s),
section (s), Township (s) and Range (s) _____
_____, Gila Salt River Base and Meridian, Arizona.

The locality of this claim with reference to some natural object or permanent monument and additional
information (if any) concerning its locality are as follows: 4800 FEET IN A
SOUTHWEST DIRECTION TO THOMPSON BUTTE

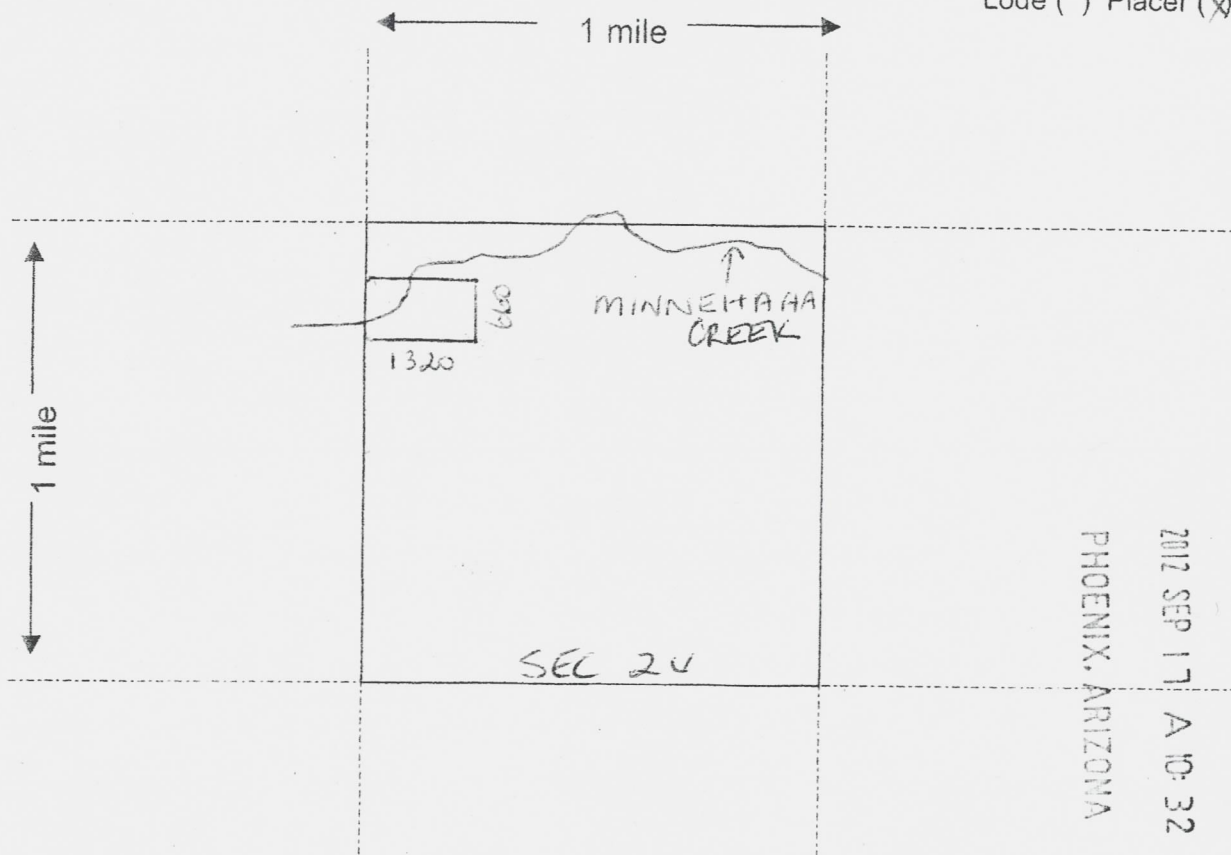
DATED AND POSTED on the ground this 2 day of SEPTEMBER, 2012
LOCATOR (S) FORTUNA QUEEN L.L.C.

Form MCF102
Revised July 2005

AMC 417499

MINING CLAIM MAP

Lode () Placer (X)



RECEIVED
 BLM AZ STATE OFFICE
 2012 SEP 17 A 10:32
 PHOENIX, ARIZONA

Scale : 1" = 2000 feet



1. The above map depicts the PATMOS #1 mining claim, which is located in Section (s) 24, Township 2 W, Range 10 N, Gila and Salt River Base and Meridian, YAVAPAI County, Arizona.
2. The type of corner and location monuments used are as follows: 2" PVC PIPE
3. The bearings and distances in degrees and feet between claim corners are as depicted on the map.

Form MCF100a
 Revised July 2005

This form is available from the Arizona Department of Mines & Mineral Resources and may be reproduced.

ANCI 17499

LOCATION NOTICE FOR PLACER MINING CLAIM

NOTICE IS HEREBY GIVEN that the PATMOS 2

_____ placer mining claim has been located by

FORTUNA QUEEN LLC whose current mailing

address is 14537 W. GRAND AVE. SUITE 215

SURPRISE AZ. 85374

BLM
Date
Stamp

PHOENIX, ARIZONA

2012 SEP 17 A 10:32

RECEIVED
BLM AZ STATE OFFICE

The general course of this claim is EAST TO WEST and it is situated in

YAVAPAI County, Arizona.

This claim is 1320 feet in length and 660 feet in width. This claim runs from the

location monument on which this location notice is posted approximately 1320 feet in a WEST

direction to the NORTH EAST end line and 660 feet in a SOUTH direction to the NORTH WEST end line.

This claim is marked by four monuments, one at each corner of the claim.

The location monument on which this notice is posted is situated within Section 23, Township

10 N, Range 2 W, Gila Salt River Base and Meridian, Arizona. This claim encompasses

portions of the following legal subdivision(s) if located by legal subdivision or the following quarter section (s),

section (s), Township (s) and Range (s) _____

_____, Gila Salt River Base and Meridian, Arizona.

The locality of this claim with reference to some natural object or permanent monument and additional

information (if any) concerning its locality are as follows. 1350 FEET NORTH WEST

OF THOMPSON BUTTE

DATED AND POSTED on the ground this 2 day of SEPTEMBER, 2012

LOCATOR (S) FORTUNA QUEEN LLC

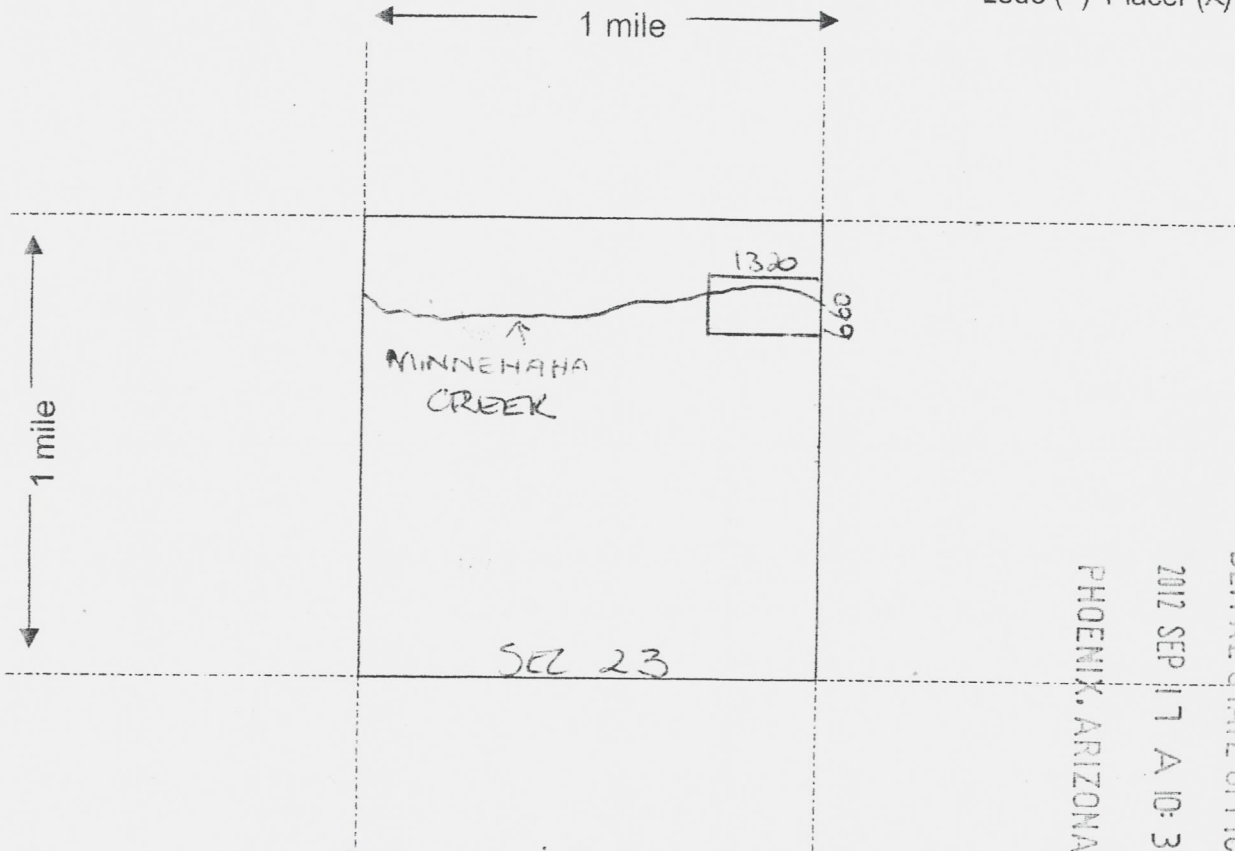
Form MCF102
Revised July 2005

This form is available from the Arizona Department of Mines & Mineral Resources and may be reproduced.

ANCH 17500

MINING CLAIM MAP

Lode () Placer (X)



Scale : 1" = 2000 feet



RECEIVED
BLM AZ STATE OFFICE
2012 SEP 17 A 10:32
PHOENIX, ARIZONA

AMC417500

1. The above map depicts the PATMOS #2 mining claim, which is located in Section (s) 23, Township 2 W, Range 10 N, Gila and Salt River Base and Meridian, YAVAPAI County, Arizona.
2. The type of corner and location monuments used are as follows: 2" PVC PIPE
3. The bearings and distances in degrees and feet between claim corners are as depicted on the map.

Form MCF100a
Revised July 2005

This form is available from the Arizona Department of Mines & Mineral Resources and may be reproduced.

LOCATION NOTICE FOR PLACER MINING CLAIM

NOTICE IS HEREBY GIVEN that the PATMOS 3
_____ placer mining claim has been located by
FORTUNA QUEEN L.L.C whose current mailing
address is 14537 W. GRAND AV. SUITE 215
SURPRISE 85374 AZ

BLM
Date
Stamp

2012 SEP 17 A 10:32
PHOENIX, ARIZONA

RECEIVED
BLM AZ STATE OFFICE

The general course of this claim is EAST TO WEST and it is situated in
YAVAPAI County, Arizona.

This claim is 1320 feet in length and 660 feet in width. This claim runs from the
location monument on which this location notice is posted approximately 1320 feet in a WEST
direction to the NORTH WEST end line and 660 feet in a SOUTH WEST direction to the SOUTH WEST end line.

This claim is marked by four monuments, one at each corner of the claim.

The location monument on which this notice is posted is situated within Section 23, Township
10 N, Range 2 W, Gila Salt River Base and Meridian, Arizona. This claim encompasses
portions of the following legal subdivision(s) if located by legal subdivision or the following quarter section (s),
section (s), Township (s) and Range (s) _____
_____, Gila Salt River Base and Meridian, Arizona.

The locality of this claim with reference to some natural object or permanent monument and additional
information (if any) concerning its locality are as follows: 800 FT SOUTH OF
THOMPSON BUTTE

DATED AND POSTED on the ground this 2 day of SEPTEMBER, 2012
LOCATOR (s) FORTUNA QUEEN L.L.C.

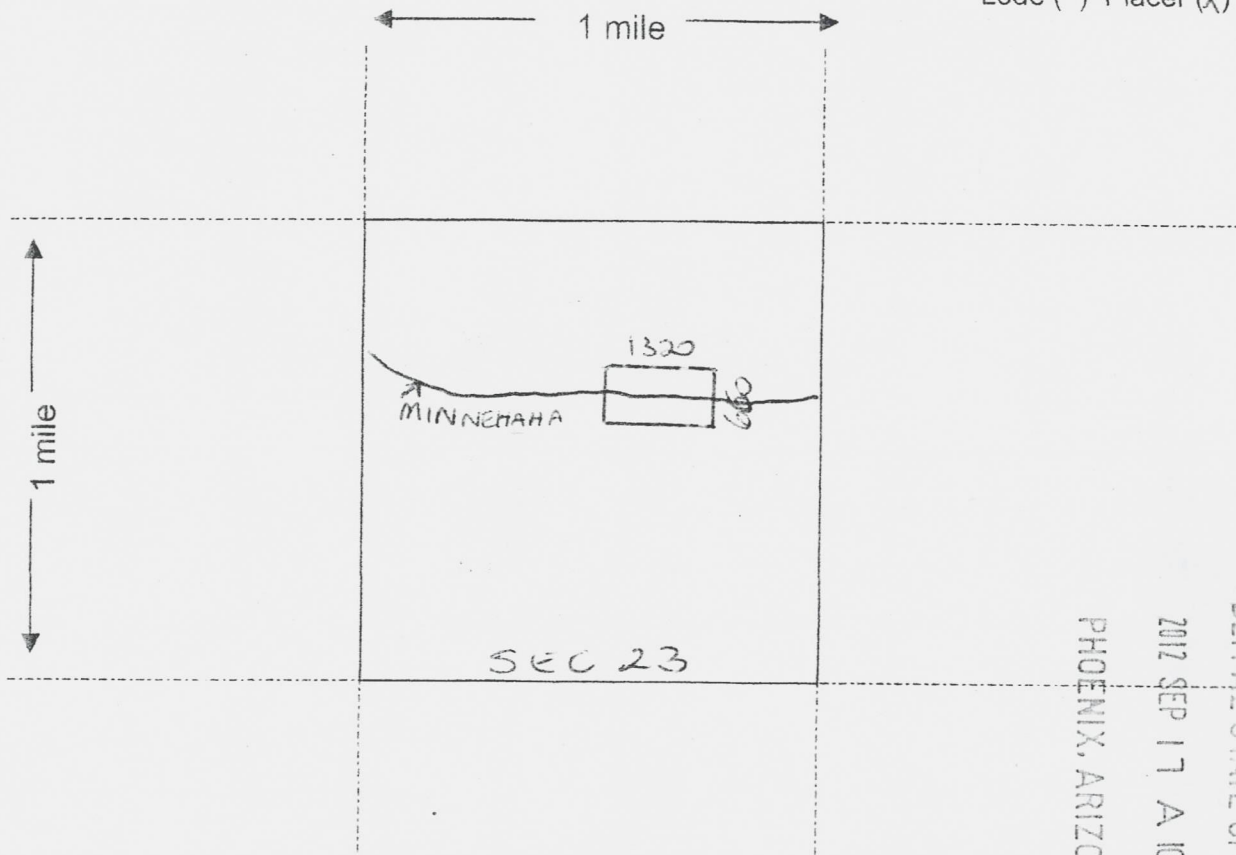
Form MCF102
Revised July 2005

This form is available from the Arizona Department of Mines & Mineral Resources and may be reproduced.

AMC417501

MINING CLAIM MAP

Lode () Placer (X)



Scale : 1" = 2000 feet



RECEIVED
 BLM AZ STATE OFFICE
 2012 SEP 17 A 10:32
 PHOENIX, ARIZONA

- The above map depicts the PATMOS #3 mining claim, which is located in Section (s) 23, Township 10 N, Range 2 W, Gila and Salt River Base and Meridian, YAVAPAI County, Arizona.
- The type of corner and location monuments used are as follows: 2" PVC PIPE
- The bearings and distances in degrees and feet between claim corners are as depicted on the map.

Form MCF100a
 Revised July 2005

This form is available from the Arizona Department of Mines & Mineral Resources and may be reproduced.

ANC117501

LOCATION NOTICE FOR PLACER MINING CLAIM

NOTICE IS HEREBY GIVEN that the UNCLE BOB #1
_____ placer mining claim has been located by
FORTUNA QUEEN LLC whose current mailing
address is 14537 W GRAND AVE SUITE 215
SURPRISE AZ 85374

RECEIVED
BLM AZ STATE OFFICE
2012 SEP 17 A 10:32
PHOENIX, ARIZONA
BLM
Date
Stamp

The general course of this claim is EAST TO WEST and it is situated in
YAVAPAI County, Arizona.

This claim is 1320 feet in length and 660 feet in width. This claim runs from the
location monument on which this location notice is posted approximately 1320 feet in a WEST
direction to the NORTH WEST end line and 660 feet in a SOUTH direction to the SOUTH WEST end line.
This claim is marked by four monuments, one at each corner of the claim.

The location monument on which this notice is posted is situated within Section 24, Township
10 N, Range 2 W, Gila Salt River Base and Meridian, Arizona. This claim encompasses
portions of the following legal subdivision(s) if located by legal subdivision or the following quarter section (s),
section (s), Township (s) and Range (s) N 1/2 NE 1/4 NE 1/4 SEC 24
10N 2W, Gila Salt River Base and Meridian, Arizona.

The locality of this claim with reference to some natural object or permanent monument and additional
information (if any) concerning its locality are as follows: 5200 FEET SOUTH OF
JAKIES PASS

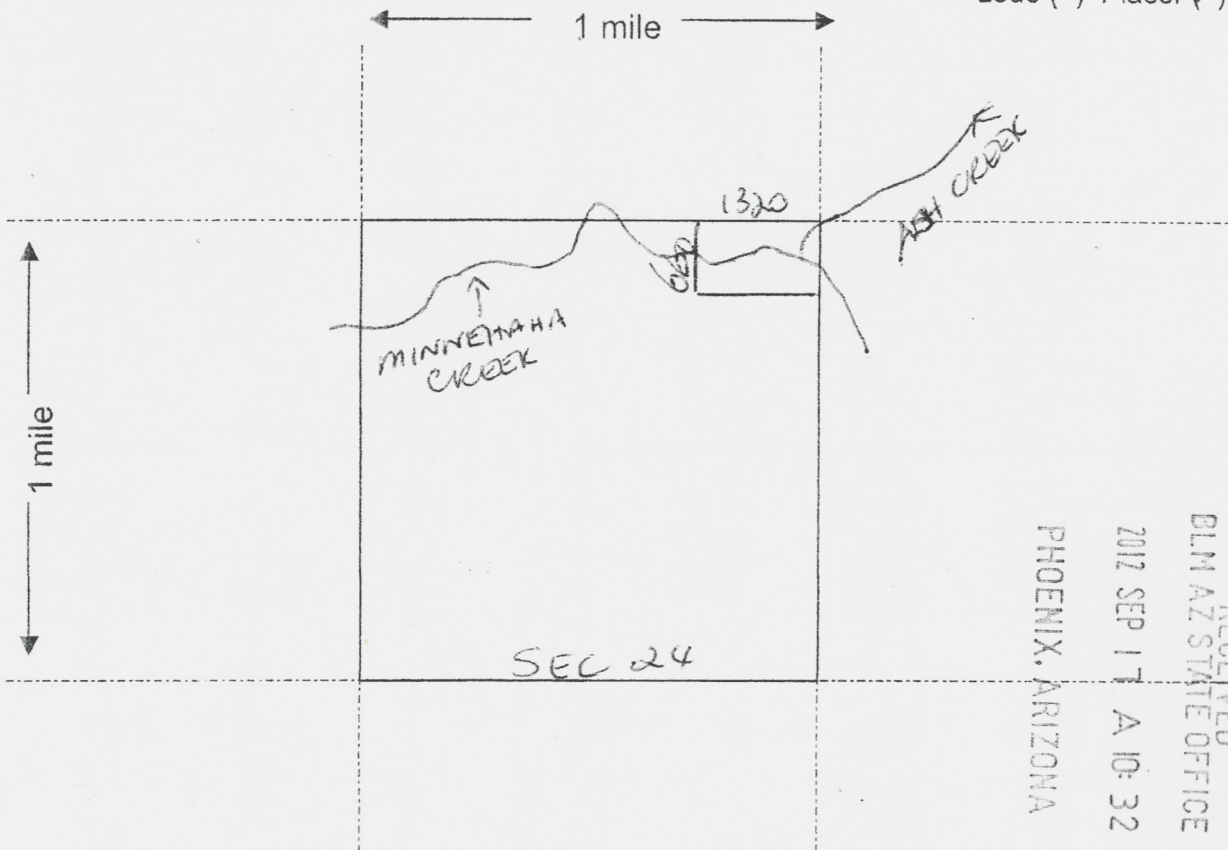
DATED AND POSTED on the ground this 2 day of SEPTEMBER, 20 12
LOCATOR(S) FORTUNA QUEEN LLC

Form MCF102
Revised July 2005

ARCH 17502

MINING CLAIM MAP

Lode () Placer (X)



RECEIVED
 DLN AZ STATE OFFICE
 2012 SEP 17 A 10:32
 PHOENIX, ARIZONA

Scale : 1" = 2000 feet



- The above map depicts the UNCLE BOB #1 mining claim, which is located in Section (s) 24, Township 10 N, Range 2 W, Gila and Salt River Base and Meridian, YAVAPAI County, Arizona.
- The type of corner and location monuments used are as follows: 2" PVC PIPE
- The bearings and distances in degrees and feet between claim corners are as depicted on the map.

Form MCF100a
 Revised July 2005

This form is available from the Arizona Department of Mines & Mineral Resources and may be reproduced.

AMC417502

LOCATION NOTICE FOR PLACER MINING CLAIM

NOTICE IS HEREBY GIVEN that the UNCLE BOB #2
_____ placer mining claim has been located by
FORTUNA QUEEN LLC whose current mailing
address is 14537 W GRAND AVE. SUITE 215
SURPRISE AZ. 85374

BLM
Date
Stamp

RECEIVED
BLM AZ STATE OFFICE
2012 SEP 17 A 10:33
PHOENIX, ARIZONA

The general course of this claim is EAST TO WEST and it is situated in
YAVAPAI County, Arizona.

This claim is 1320 feet in length and 660 feet in width. This claim runs from the
location monument on which this location notice is posted approximately 1320 feet in a WEST
direction to the NORTH WEST end line and 660 feet in a SOUTH direction to the SOUTH WEST end line.

This claim is marked by four monuments, one at each corner of the claim.

The location monument on which this notice is posted is situated within Section 24, Township
10 N, Range 2 W, Gila Salt River Base and Meridian, Arizona. This claim encompasses
portions of the following legal subdivision(s) if located by legal subdivision or the following quarter section (s),
section (s), Township (s) and Range (s) W 1/2 NW 1/4 NE 1/4
SEC 24 10N 2W, Gila Salt River Base and Meridian, Arizona.

The locality of this claim with reference to some natural object or permanent monument and additional
information (if any) concerning its locality are as follows: 6500 FEET SOUTH OF
JAKIES PASS

DATED AND POSTED on the ground this 2 day of SEPTEMBER, 2012.

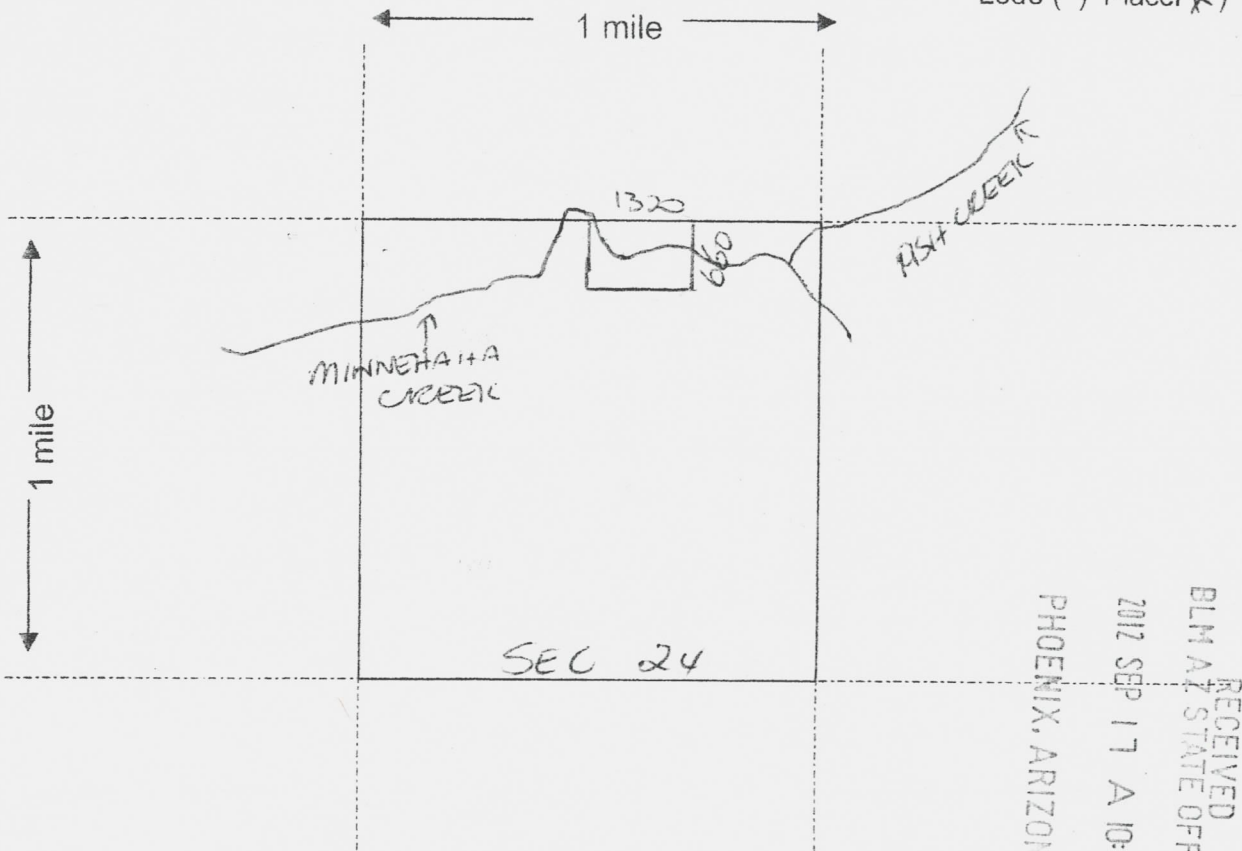
LOCATOR(S) FORTUNA QUEEN LLC

Form MCF102
Revised July 2005

AMC117503

MINING CLAIM MAP

Lode () Placer (X)



Scale : 1" = 2000 feet

RECEIVED
BLM AZ STATE OFFICE
2012 SEP 17 A 10:33
PHOENIX, ARIZONA

- The above map depicts the UNCLE BOB #2 mining claim, which is located in Section (s) 24, Township 10 N, Range 2 W, Gila and Salt River Base and Meridian, YAVAPA County, Arizona.
- The type of corner and location monuments used are as follows: 2" PVC PIPE
- The bearings and distances in degrees and feet between claim corners are as depicted on the map.

Form MCF100a
Revised July 2005

This form is available from the Arizona Department of Mines & Mineral Resources and may be reproduced.

ANCH 17503

LOCATION NOTICE FOR PLACER MINING CLAIM

NOTICE IS HEREBY GIVEN that the UNCLE BOB #3

_____ placer mining claim has been located by

FORTUNA QUEEN L.L.C. whose current mailing address is 14537 W. GRAND AVE. SUITE 215 SURPRISE AZ 85374

RECEIVED BLM AZ STATE OFFICE PHOENIX, ARIZONA 2012 SEP 17 A 10:33 BLM Date Stamp
--

The general course of this claim is EAST TO WEST and it is situated in YAVAPAI County, Arizona.

This claim is 1320 feet in length and 660 feet in width. This claim runs from the location monument on which this location notice is posted approximately 1320 feet in a WEST direction to the NORTH WEST end line and 660 feet in a SOUTH direction to the SOUTH WEST end line.

This claim is marked by four monuments, one at each corner of the claim.

The location monument on which this notice is posted is situated within Section 24, Township 10 N, Range 2 W, Gila Salt River Base and Meridian, Arizona. This claim encompasses portions of the following legal subdivision(s) if located by legal subdivision or the following quarter section (s), section (s), Township (s) and Range (s) NE 1/4 NW 1/4 NW 1/4
SEC 24 10N 2W, Gila Salt River Base and Meridian, Arizona.

The locality of this claim with reference to some natural object or permanent monument and additional information (if any) concerning its locality are as follows: 3500 FEET EAST OF THOMPSON BUTTE

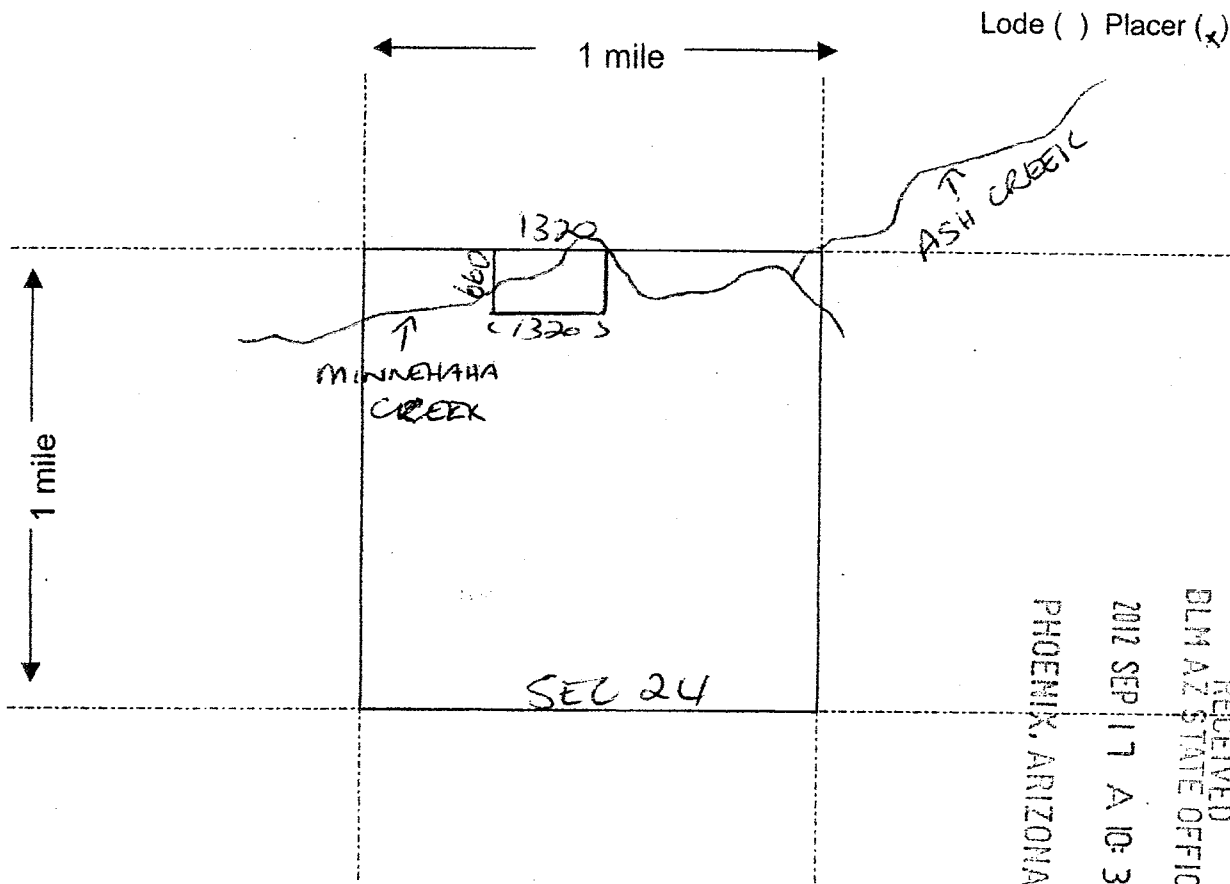
DATED AND POSTED on the ground this 2 day of SEPTEMBER, 2012

LOCATOR (s) FORTUNA QUEEN L.L.C.

Form MCF102
Revised July 2005

ANCI 17504

MINING CLAIM MAP



RECEIVED
BLM AZ STATE OFFICE
2012 SEP 17 A 10:33
PHOENIX, ARIZONA

Scale : 1" = 2000 feet



1. The above map depicts the UNCLE BOB #3 mining claim, which is located in Section (s) 24, Township 10 N, Range 2 W, Gila and Salt River Base and Meridian, YAVAPAI County, Arizona.

2. The type of corner and location monuments used are as follows: 2" PVC PIPE

3. The bearings and distances in degrees and feet between claim corners are as depicted on the map.

Form MCF100a
Revised July 2005

This form is available from the **Arizona Department of Mines & Mineral Resources** and may be reproduced.

A110117504

LOCATION NOTICE FOR PLACER MINING CLAIM

NOTICE IS HEREBY GIVEN that the UNCLE BOB #4
_____ placer mining claim has been located by
FORTUNA QUEEN L.L.C. whose current mailing
address is 14537 W. GRAND AVE. SUITE 215
SURPRISE AZ 85374

RECEIVED
BLM AZ STATE OFFICE
2012 SEP 17 A 10:33
PHOENIX, ARIZONA
BLM
Date
Stamp

The general course of this claim is EAST TO WEST and it is situated in
YAVAPAI County, Arizona.

This claim is 1320 feet in length and 660 feet in width. This claim runs from the
location monument on which this location notice is posted approximately 1320 feet in a WEST
direction to the NORTH WEST end line and 660 feet in a SOUTH direction to the SOUTH WEST end line.

This claim is marked by four monuments, one at each corner of the claim.

The location monument on which this notice is posted is situated within Section 24, Township
10 N, Range 2 N, Gila Salt River Base and Meridian, Arizona. This claim encompasses
portions of the following legal subdivision(s) if located by legal subdivision or the following quarter section (s),
section (s), Township (s) and Range (s) NW 1/4 NW 1/4 NW 1/4
SEC. 24 10N 2W, Gila Salt River Base and Meridian, Arizona.

The locality of this claim with reference to some natural object or permanent monument and additional
information (if any) concerning its locality are as follows: 2220 FEET EAST OF
THOMPSON BUTTE

DATED AND POSTED on the ground this 2 day of SEPTEMBER, 2012

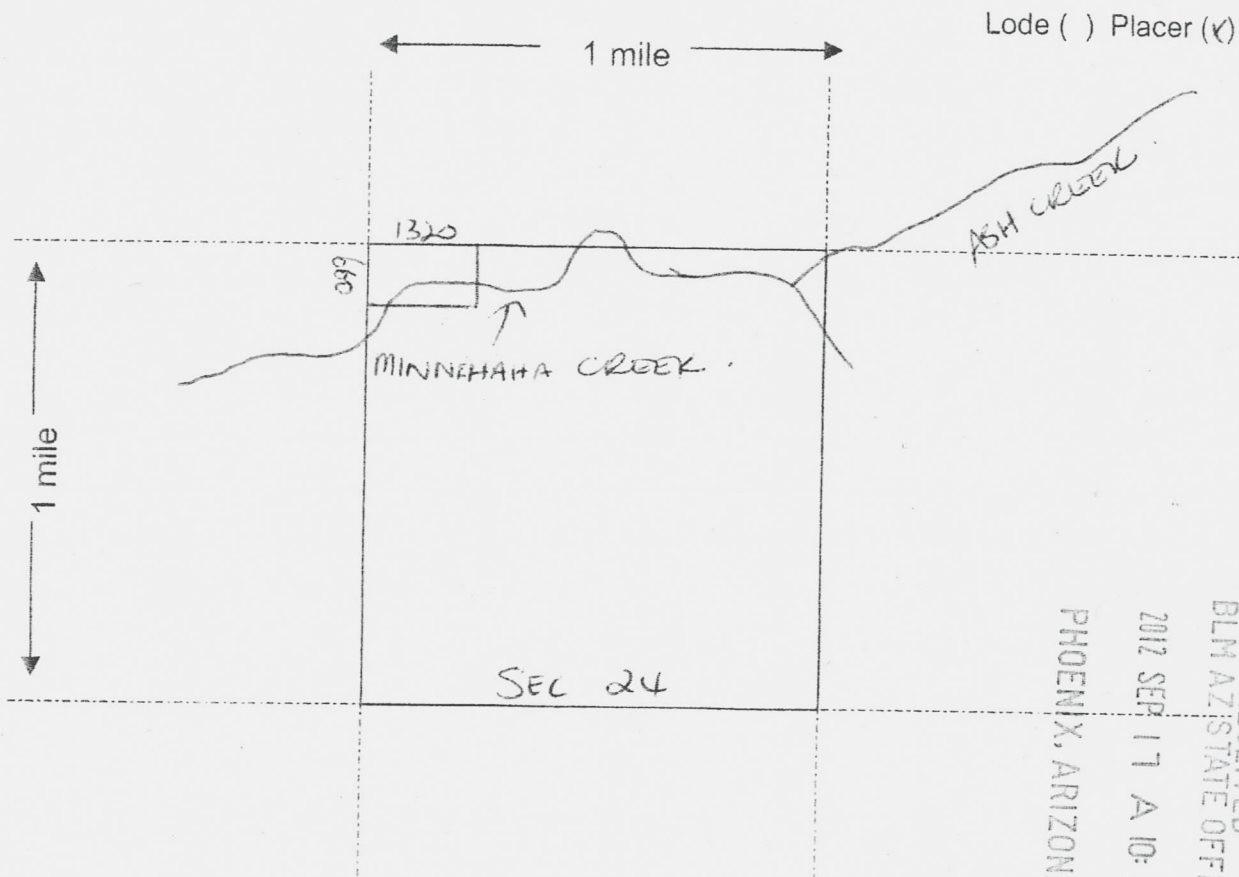
LOCATOR(S) FORTUNA QUEEN LLC.

Form MCF102
Revised July 2005

This form is available from the Arizona Department of Mines & Mineral Resources and may be reproduced.

ANC 17505

MINING CLAIM MAP



Lode () Placer (x)

1 mile

1 mile

1320

680

MINNEHATA CREEK

ASH CREEK

SEC 24

Scale: 1" = 2000 feet



RECEIVED
 BLM AZ STATE OFFICE
 2012 SEP 17 A 10:33
 PHOENIX, ARIZONA

1. The above map depicts the UNCLE BOB #4 mining claim, which is located in Section (s) 24, Township 10 N, Range 2 W, Gila and Salt River Base and Meridian, YAVAPAI County, Arizona.

2. The type of corner and location monuments used are as follows: 2" PVC PIPE

3. The bearings and distances in degrees and feet between claim corners are as depicted on the map.

Form MCF100a
 Revised July 2005

This form is available from the Arizona Department of Mines & Mineral Resources and may be reproduced.

AMC417505

RUN DATE: 09/17/12 11:34 AM
STATE: AZ

UNITED STATES DEPARTMENT OF THE INTERIOR
BUREAU OF LAND MANAGEMENT
GEOGRAPHIC REPORT WITH LAND
SORTED BY MTR

Serial Number: AZA 023085BP
Total Case Acres: 2,694.804

<u>Casetype</u>	<u>Case Disp</u>	<u>Mer</u>	<u>Twp</u>	<u>Rng</u>	<u>SEC</u>	<u>SUR TYPE</u>	<u>SUR NR</u>	<u>SUF</u>	<u>SUBDIVISION</u>	<u>ACT PEND</u>
220100	AUTHORIZED	14	0090N	0020W	004 004	A L			S2NE,SE; 1,2;	

Serial Number: AZA 026580
Total Case Acres: 4,838.37

<u>Casetype</u>	<u>Case Disp</u>	<u>Mer</u>	<u>Twp</u>	<u>Rng</u>	<u>SEC</u>	<u>SUR TYPE</u>	<u>SUR NR</u>	<u>SUF</u>	<u>SUBDIVISION</u>	<u>ACT PEND</u>
272011	AUTHORIZED	14	0090N	0020W	008	A			SWSW;	

Serial Number: AZA 035361
Total Case Acres: 5

<u>Casetype</u>	<u>Case Disp</u>	<u>Mer</u>	<u>Twp</u>	<u>Rng</u>	<u>SEC</u>	<u>SUR TYPE</u>	<u>SUR NR</u>	<u>SUF</u>	<u>SUBDIVISION</u>	<u>ACT PEND</u>
380910	REJECTED	14	0090N	0020W	008	1			NW;	

Serial Number: AZA 035403
Total Case Acres: 5

<u>Casetype</u>	<u>Case Disp</u>	<u>Mer</u>	<u>Twp</u>	<u>Rng</u>	<u>SEC</u>	<u>SUR TYPE</u>	<u>SUR NR</u>	<u>SUF</u>	<u>SUBDIVISION</u>	<u>ACT PEND</u>
381402	PENDING	14	0090N	0020W	008	1			NW NW;	

Serial Number: AZA 035851
Total Case Acres: 5

Mer Twp Rng

RUN DATE: 09/17/12 11:34 AM
STATE: AZ

UNITED STATES DEPARTMENT OF THE INTERIOR
BUREAU OF LAND MANAGEMENT
GEOGRAPHIC REPORT WITH LAND
SORTED BY MTR

Serial Number: AZA 035851
Total Case Acres: 5

<u>Casetype</u>	<u>Case Disp</u>	14	0090N	0020W	<u>SEC</u>	<u>SUR TYPE</u>	<u>SUR NR</u>	<u>SUF</u>	<u>SUBDIVISION</u>	<u>ACT PEND</u>
380913	PENDING				004	1			SW;	
					008	1			NE;	

RUN TIME: 11:34 AM

DEPARTMENT OF INTERIOR
BUREAU OF LAND MANAGEMENT

RUN DATE: 09/17/2012

Input Parameters for Geographic Report with Land

System Id = CR

Admin State = AZ

Geo State =

Casetype =

Casetype Txt =

Case Disp Txt = AUTHORIZED, CANCELLED, EXPIRED, PENDING, REJECTED, RELINQUISHED, VOID, WITHDRAWN

Mer Twp Rng =

Mtrs = 14 0090N 0020W 004, 14 0090N 0020W 008, 14 0090N 0020W 009, 14 0090N 0020W 999, 14 0100N 0020W 023, 14 0100N 0020W 024, 14 0100N 0020W 999

Commodity =

Commodity Txt =

Adm Agency Begins With

Total Rows Returned: 7

